

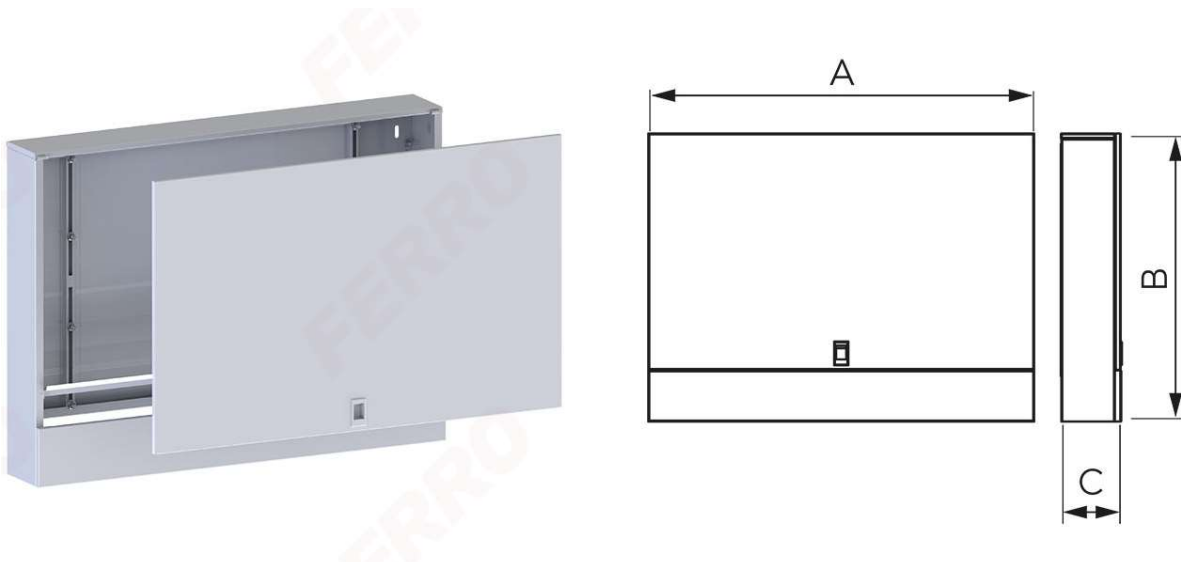
Code: **SZNx**

Cabinet for manifold, surface-mounted

<https://www.ferrocompany.com/product-6653-SZNx.html>

Individual packaging: **1, package with bar code allowing for retail sale**

Collective packaging: -



- made entirely of 0.8 mm galvanised sheet metal, laser cut
- powder-coated front, fully removable
- colour: RAL 9016 white
- depth 120 or 170 mm
- manifold mounting rails included
- lockable with plastic clip

Code	A [mm]	B [mm]	C [mm]	Individ. pack.	Bulk pack.
SZN0	385	575	120	1	-
SZN1	485			1	-
SZN2	610			1	-
SZN3	770			1	-
SZN4	840			1	-
SZN5	1015			1	-
SZN6	1130			1	-
SZN2-170	610		170	1	-
SZN4-170	840			1	-
SZN6-170	1130			1	-

	R	R+GM	R + GM1F
	maximum number of manifold circuits		
SZN0	2	-	-
SZN1	5	-	-

SZN2	8	-	-
SZN3	10	-	-
SZN4	12	-	-
SZN5	15	-	-
SZN6	17	-	-
SZN2-170	8	5	4
SZN4-170	12	10	8
SZN6-170	17	15	14