

HERZ THERMO

Pump group



HERZ Pump group THERMO

Field of application

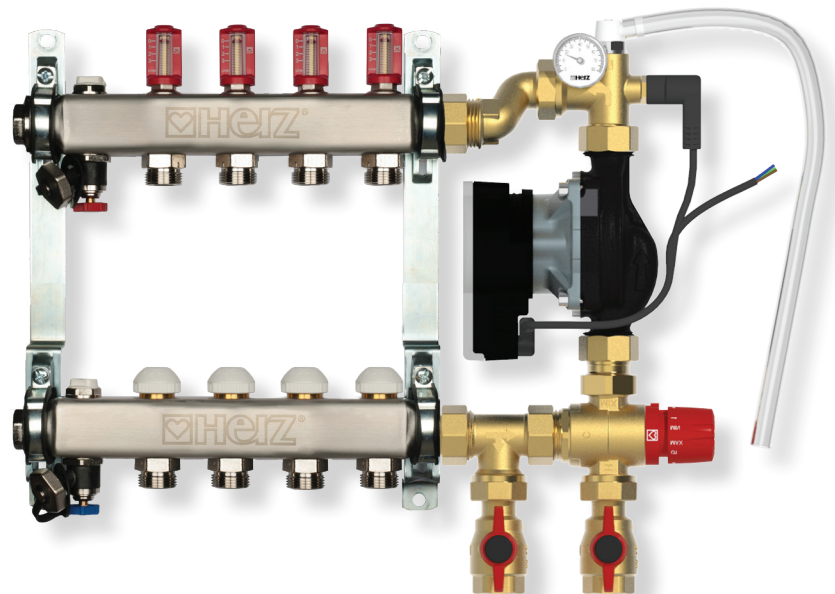
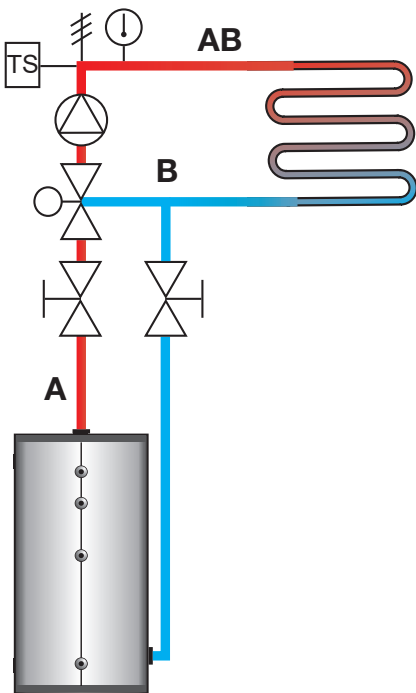
HERZ Pump group THERMO is used in high temperature heating systems when there is a need to warm up a low-temperature heating system - radiant heating (floor/wall heating). The set consists of a mixing valve, spacer, thermostatic switch, two free-turning nut connectors and two ball valves. The mixing set controls the secondary heating circuit which controls the temperature in the room (depending on the needs). Supply flow temperature can be regulated to a constant value (± 2 °C).

Operating data

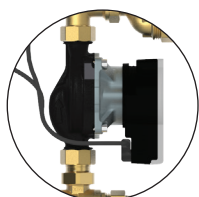
Nominal pressure:	6 bar (static), 5 bar (dynamic)
Mixing valve setting:	20 °C – 42 °C
Temperature stability:	± 2 °C
Maximum inlet pressure ratio (C/C or C/H):	2:1
Min. temperature differential to ensure fail-safe between supply and mixed water:	10 °C
Max. operating temperature:	90 °C
Min. operating temperature:	2 °C
Bimetal thermostatic switch:	Fixed cut-off setting 60 °C
Measuring range of thermometer:	0 - 80 °C
kvs:	2,5

Function principle

HERZ Pump group THERMO is connected to the hot main supply (A). The mixing valve is mixing the hot supply (A) with return from the system (B) and it adjusts the temperature that flows into the system according to the set value (AB).



☑ Components of HERZ Pump group THERMO



CIRCULATION PUMP

Set is available with or without the circulation pump.
Standard variable speed pump used in HERZ pump group is WILO PARA 15-130/6.



MIXING VALVE

Mixing valve with setting from 20 °C to 42 °C allows precise adjustment of the inlet flow temperature. Temperature can be set according to the table below:

Handle	1	2	3	4	5
T-setting	20 °C	25 °C	30 °C	34 °C	42 °C



SAFETY TEMPERATURE CUT OFF

The included bimetal thermostatic switch protects the system from overheating. The switch setting is fixed in such a way, that it cuts off the supply power to the circulation pump if the temperature in the flow exceeds 60 °C.



BALL VALVE

Set is equipped with two HERZ ball valves with free-turning nut. Valves can be used while the set is being installed or maintained due to excellent 100 % sealing function.



ELBOW PIECE

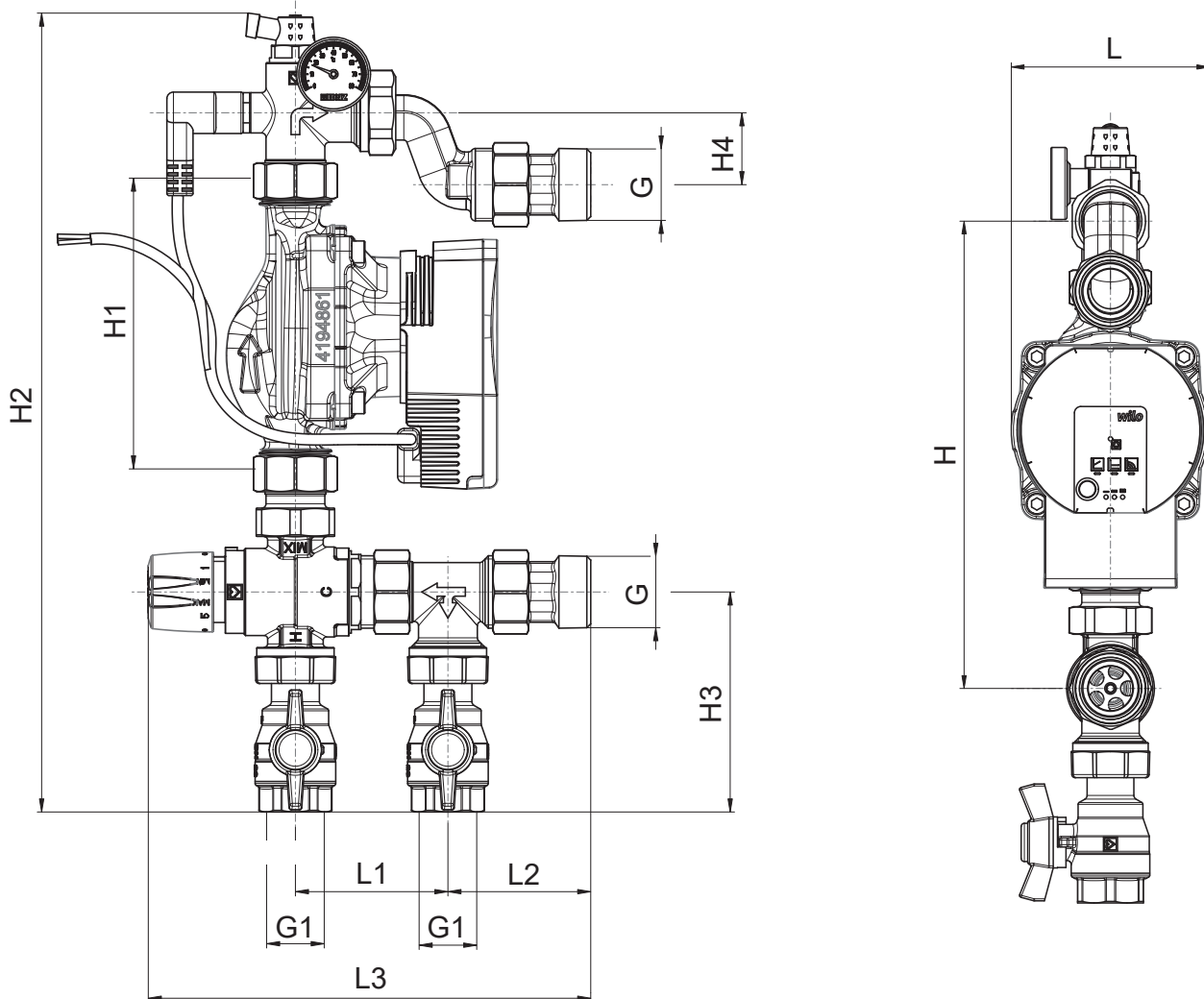
Air vent and temperature indicator are installed into the upper elbow piece. The air can get stuck on the top of the elbow piece because it is the highest part of the heating system, so it is equipped with an air vent. Temperature indicator goes up to 80 °C so the reading of inlet temperature is possible.



ECCENTRIC CONNECTOR AND FREE-TURNING NUT CONNECTOR

The position of the eccentric screw connector can be adjusted for ± 33 mm and therefore fitted to almost any manifold on the market. Connectors which are included in the set are used to connect the pump group directly to the distributors for floor heating systems. The usage of these connectors simplifies the service due to free-turning nut.

☑ Dimensions



Order number	Pump	G ["]	G1 ["]	H [mm]	H1 [mm]	H2 [mm]	H3 [mm]	H4 [mm]	L [mm]	L1 [mm]	L2 [mm]	L3 [mm]
3 F532 41	with pump	1	3/4	220	130	367	101	33	93	70	66	203
3 F532 42	-	1	3/4	220	-	367	101	33	-	70	66	203

