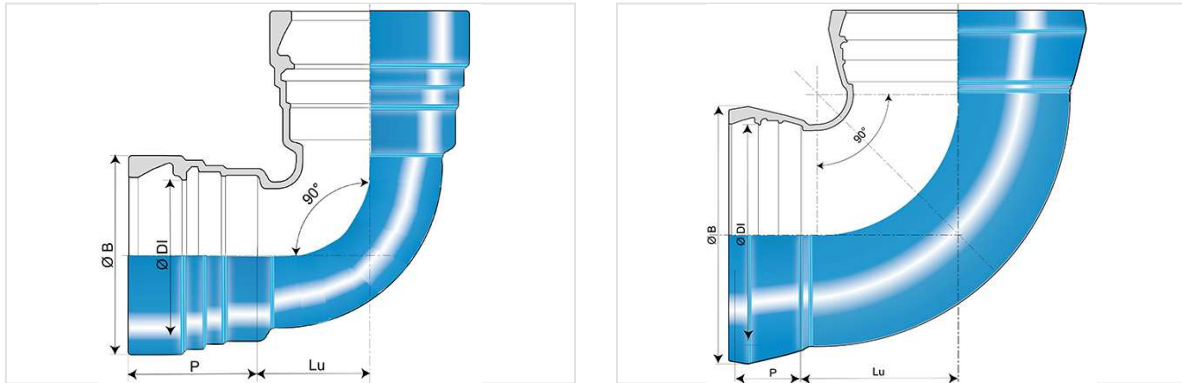


## Bend 90° (1/4) (PECB) with 2 sockets UNIVERSAL STANDARD



Angle	DN (mm)	Lu (mm)	P (mm)	ØDI (mm)	ØB (mm)	Mass (kg)	References
90°	200	226	158	225.5	290	47.800	SFB20CA00TT
90°	250	277.5	166	276.8	347	64.800	SFB25CA00TT
90°	300	329	178	328.8	406	95.000	SFB30CA00TT
90°	400	430	176	432	512	141.000	SFB40CA00TT
90°	500	550	200	535	626	234.700	SFB50CA00TT
90°	600	645	209	638	742	350.300	SFB60CA00TT
90°	1200	1200	279.5	1263	1424	2750.000	SFC12CA00TT

(\* consult us

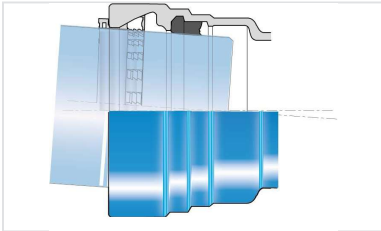
### Field of use:

- To use under high to very high pressures

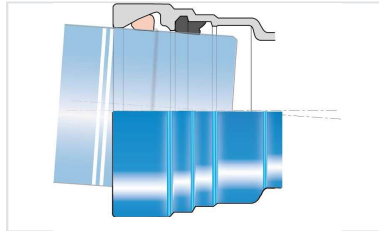
### Main characteristics:

- External and internal coating : Blue epoxy powder 250 microns average thickness with a minimum of 200 microns, conforming to EN 14901-1 (PECB)
- In conformity with EN 545:2010 and ISO 2531:2009

## Linked products



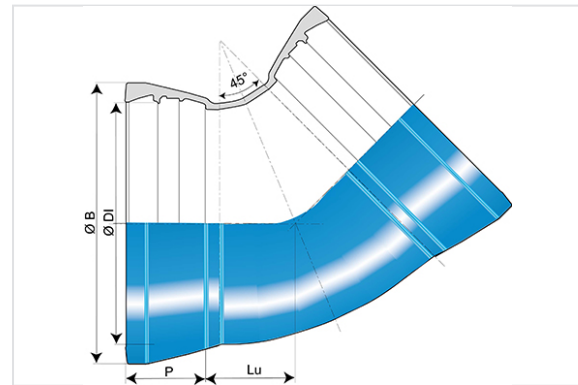
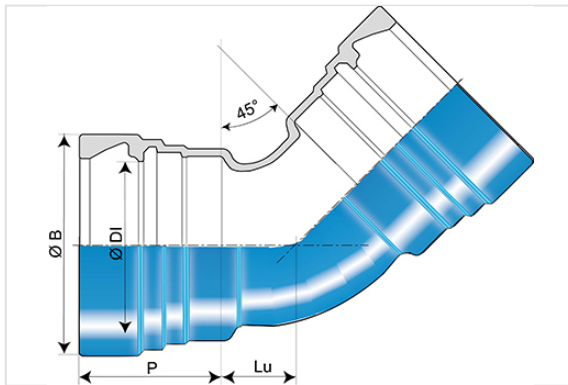
Kit Universal Standard  
Fitting PECB + Universal  
Standard Vi Joint



Kit Universal Standard  
Fitting PECB + Universal  
Standard Ve Joint

*The information on this sketch is, to the best of our knowledge correct at the time of printing. However Saint-Gobain are constantly looking at ways of improving their products and services therefore reserve the right to change without prior notice, any of the data shown. Any orders placed will be subject to our Standard Conditions of Sale, available on request.*

### Bend 45° (1/8) (PECB) with 2 sockets UNIVERSAL STANDARD



Angle	DN (mm)	Lu (mm)	P (mm)	ØDI (mm)	ØB (mm)	Mass (kg)	References
45°	80	55.5	120	101.4	149	10.400	SFA80CB00TT
45°	100	64.4	142	121.4	177	18.000	SFB10CB00TT
45°	150	86.6	150	173.4	230	27.000	SFB15CB00TT
45°	200	108.8	158	225.5	290	41.000	SFB20CB00TT
45°	250	131.1	166	276.8	347	54.500	SFB25CB00TT
45°	300	153.3	178	328.8	406	78.400	SFB30CB00TT
45°	400	195	176	432	512	113.200	SFB40CB00TT
45°	500	240	200	535	626	175.800	SFB50CB00TT
45°	600	285	209	638	742	284.000	SFB60CB00TT
45°	700	335.5	256	740.5	857	490.000	SFB70CB00TT
45°	800	364	261	845.8	983.8	700.000	SFB80CB00TT
45°	900	415	275	948.9	1093	916.000	SFB90CB00TT
45°	1000	460	272.5	1052	1216	1085.000	SFC10CB00TT
45°	1200	550	279.5	1260	1419.6	1487.000	SFC12CB00TT
45°	1400	522	330	1468.5	1650.1	2047.000	SFC14CB00TT
45°	1600	563	330	1674.2	1876	2990.000	SFC16CB00TT

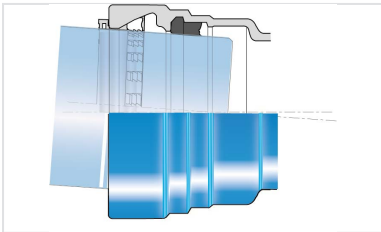
### Field of use:

- To use under high to very high pressures

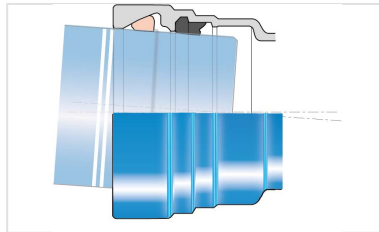
### Main characteristics:

- External and internal coating : Blue epoxy powder 250 microns average thickness with a minimum of 200 microns, conforming to EN 14901-1 (PECB)
- In conformity with EN 545:2010 and ISO 2531:2009

### Linked products



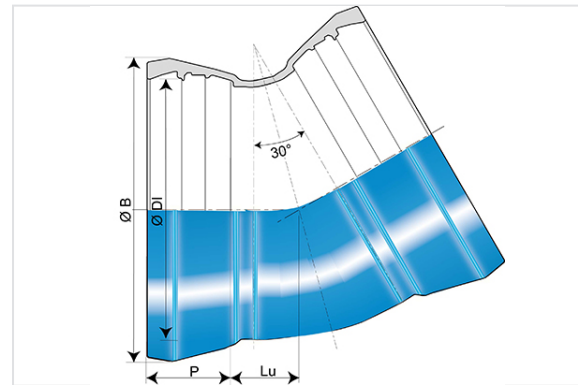
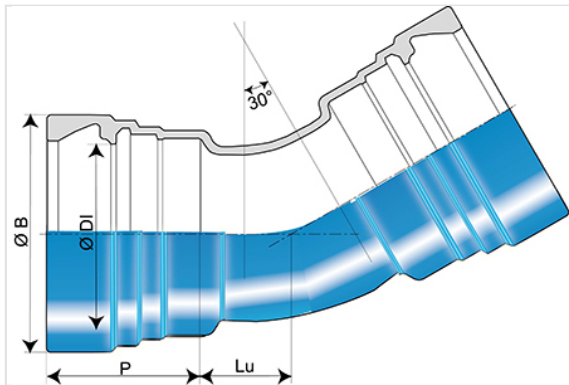
Kit Universal Standard  
Fitting PECB + Universal  
Standard Vi Joint



Kit Universal Standard  
Fitting PECB + Universal  
Standard Ve Joint

*The information on this sketch is, to the best of our knowledge correct at the time of printing. However Saint-Gobain are constantly looking at ways of improving their products and services therefore reserve the right to change without prior notice, any of the data shown. Any orders placed will be subject to our Standard Conditions of Sale, available on request.*

## Bend 30° (1/12) (PECB) with 2 sockets UNIVERSAL STANDARD



Angle	DN (mm)	Lu (mm)	P (mm)	ØDI (mm)	ØB (mm)	Mass (kg)	References
30°	200	79.6	158	225.5	290	38.600	SFB20CC00TT
30°	250	94.5	166	276.8	347	51.300	SFB25CC00TT
30°	300	109.4	178	328.8	406	75.000	SFB30CC00TT
30°	400	140	176	432	512	102.000	SFB40CC00TT
30°	500	170	200	535	626	164.000	SFB50CC00TT
30°	600	200	209	638	742	234.300	SFB60CC00TT

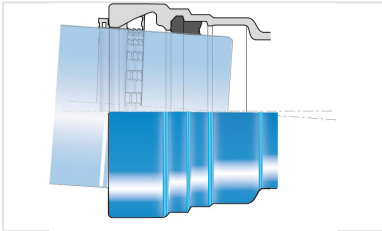
### Field of use:

- To use under high to very high pressures

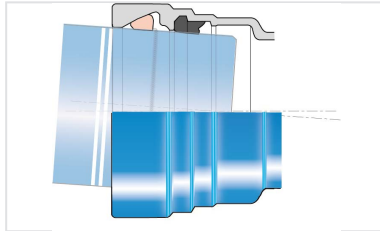
### Main characteristics:

- External and internal coating : Blue epoxy powder 250 microns average thickness with a minimum of 200 microns, conforming to EN 14901-1 (PECB)
- In conformity with EN 545:2010 and ISO 2531:2009

## Linked products



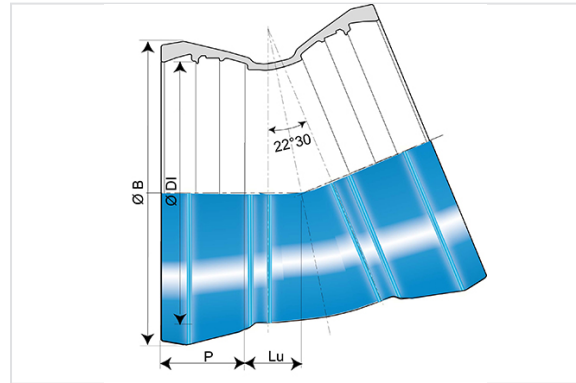
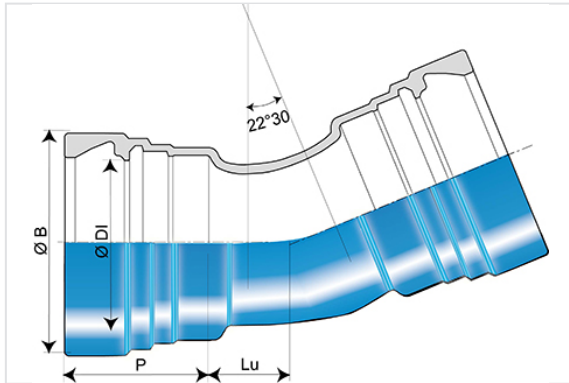
Kit Universal Standard  
Fitting PCB + Universal  
Standard Vi Joint



Kit Universal Standard  
Fitting PCB + Universal  
Standard Ve Joint

*The information on this sketch is, to the best of our knowledge correct at the time of printing. However Saint-Gobain are constantly looking at ways of improving their products and services therefore reserve the right to change without prior notice, any of the data shown. Any orders placed will be subject to our Standard Conditions of Sale, available on request.*

## Bend 22°30 (1/16) (PECB) with 2 sockets UNIVERSAL STANDARD



Angle	DN (mm)	Lu (mm)	P (mm)	ØDI (mm)	ØB (mm)	Mass (kg)	References
22°30	80	38.3	120	101.4	149	14.800	SFA80CD00TT
22°30	100	42.9	142	121.4	177	17.100	SFB10CD00TT
22°30	150	54.3	150	173.4	230	25.600	SFB15CD00TT
22°30	200	65.8	158	225.5	290	36.700	SFB20CD00TT
22°30	250	77.2	166	276.8	347	50.400	SFB25CD00TT
22°30	300	88.7	178	328.8	406	71.500	SFB30CD00TT
22°30	400	110	176	432	512	97.800	SFB40CD00TT
22°30	500	130	200	535	626	161.000	SFB50CD00TT
22°30	600	150	209	638	742	222.000	SFB60CD00TT
22°30	700	157.5	256	740.5	857	400.000	SFB70CD00TT
22°30	800	170	261	845.8	983.8	550.000	SFB80CD00TT
22°30	900	220	275	948.9	1093	770.000	SFB90CD00TT
22°30	1000	240	272.5	1052	1216	899.000	SFC10CD00TT
22°30	1200	285	279.5	1260	1419.6	1116.000	SFC12CD00TT
22°30	1400	264	330	1468.5	1650.1	1600.000	SFC14CD00TT

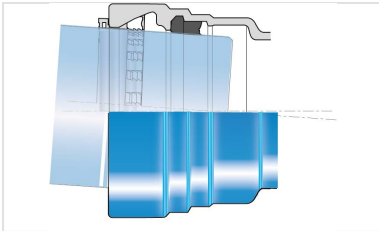
### Field of use:

- To use under high to very high pressures

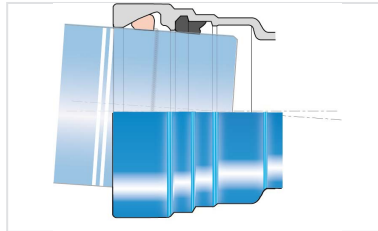
## Main characteristics:

- External and internal coating : Blue epoxy powder 250 microns average thickness with a minimum of 200 microns, conforming to EN 14901-1 (PECB)
- In conformity with EN 545:2010 and ISO 2531:2009

## Linked products



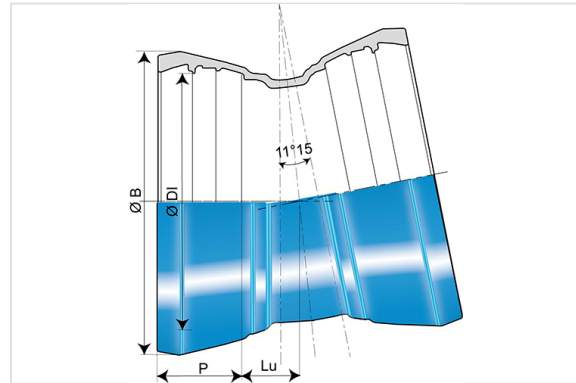
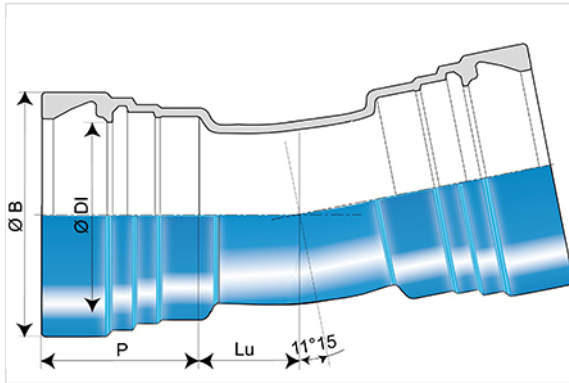
Kit Universal Standard  
Fitting PECB + Universal  
Standard Vi Joint



Kit Universal Standard  
Fitting PECB + Universal  
Standard Ve Joint

*The information on this sketch is, to the best of our knowledge correct at the time of printing. However Saint-Gobain are constantly looking at ways of improving their products and services therefore reserve the right to change without prior notice, any of the data shown. Any orders placed will be subject to our Standard Conditions of Sale, available on request.*

## Bend 11°15 (1/32) (PECB) with 2 sockets UNIVERSAL STANDARD



Angle	DN (mm)	Lu (mm)	P (mm)	ØDI (mm)	ØB (mm)	Mass (kg)	References
11°15	80	30.3	120	101.4	149	14.500	SFA80CE00TT
11°15	100	32.9	142	121.4	177	17.000	SFB10CE00TT
11°15	125	36.1	148	147.4	201.4	16.500	SFB12CE00TT
11°15	150	39.3	150	173.4	230	25.000	SFB15CE00TT
11°15	200	45.7	158	225.5	290	35.900	SFB20CE00TT
11°15	250	52.1	166	276.8	347	48.100	SFB25CE00TT
11°15	300	58.6	178	328.8	406	65.700	SFB30CE00TT
11°15	400	65	176	432	512	87.000	SFB40CE00TT
11°15	500	75	200	535	626	139.000	SFB50CE00TT
11°15	600	85	209	638	742	191.000	SFB60CE00TT
11°15	700	87	256	740.5	857	350.000	SFB70CE00TT
11°15	800	90	261	845.8	983.8	470.000	SFB80CE00TT
11°15	900	120	275	948.9	1093	696.000	SFB90CE00TT
11°15	1000	130	272.5	1052	1216	800.000	SFC10CE00TT
11°15	1200	150	279.5	1260	1419.6	950.000	SFC12CE00TT
11°15	1400	143	330	1468.5	1650.1	1382.000	SFC14CE00TT

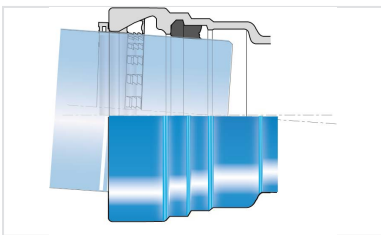
### Field of use:

- To use under high to very high pressures

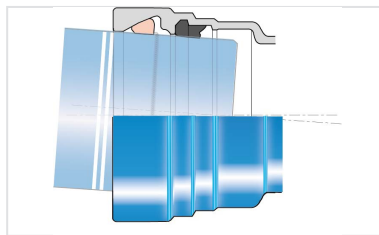
### Main characteristics:

- External and internal coating : Blue epoxy powder 250 microns average thickness with a minimum of 200 microns, conforming to EN 14901-1 (PECB)
- In conformity with EN 545:2010 and ISO 2531:2009

### Linked products



Kit Universal Standard  
Fitting PECB + Universal  
Standard Vi Joint



Kit Universal Standard  
Fitting PECB + Universal  
Standard Ve Joint

*The information on this sketch is, to the best of our knowledge correct at the time of printing. However Saint-Gobain are constantly looking at ways of improving their products and services therefore reserve the right to change without prior notice, any of the data shown. Any orders placed will be subject to our Standard Conditions of Sale, available on request.*