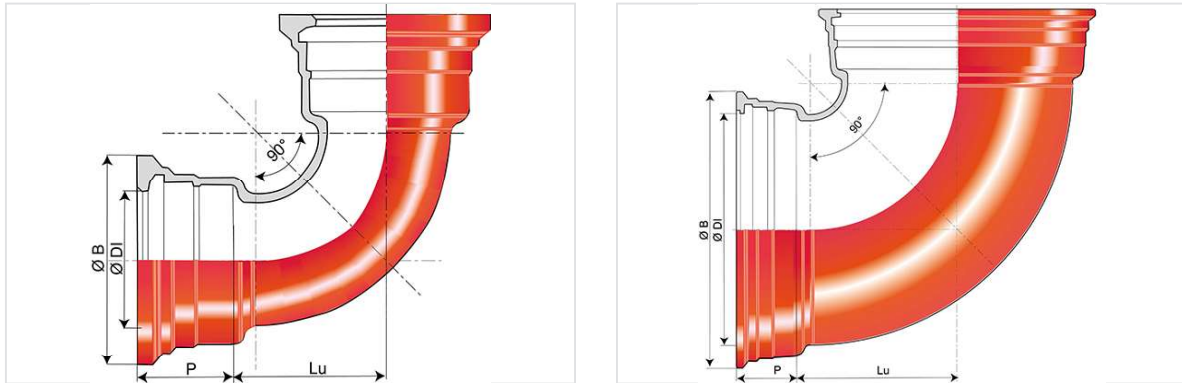


## Bend 90° (1/4) INTEGRAL with 2 sockets STANDARD



Angle	DN (mm)	Lu (mm)	P (mm)	ØDI (mm)	ØB (mm)	Mass (kg)	References
90°	80	91.5	85	101	167.5	7.900	TSA80CA
90°	100	105	88	121	187.5	10.400	TSB10CA
90°	150	152.5	94	173	241	18.700	TSB15CA
90°	200	200	100	225	294	30.000	TSB20CA
90°	250	252	105	277	351	50.600	TSB25CA
90°	300	304	110	329	408	74.200	TSB30CA
90°	350	390	110	381.4	464.3	109.000	TSB35CA
90°	400	436	112	432.4	515.3	141.000	TSB40CA
90°	450	482	115.5	483.5	573	144.000	TSB45CA
90°	500	525	117.5	535.5	628	215.000	TSB50CA
90°	600	624	132.5	638.6	737	311.000	TSB60CA
90°	700	670	150	742.2	861	584.000	TSB70CA
90°	800	735	160	846.3	972	696.000	TSB80CA
90°	900	880	175	949.4	1080	800.000	TSB90CA
90°	1000	1000	185	1052.5	1189	1461.000	TSC10CA

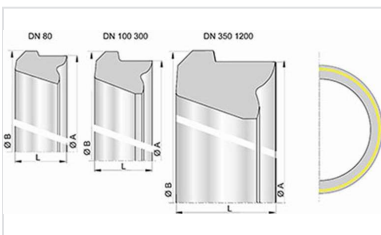
### Field of use:

- Separate sewer system and combined sewer system
- Application: gravity flow and rising main sewerage systems
- Type of effluent: domestic wastewater and rainwater
- For networks with rising main under pressure
- For effluents between pH1 and pH13

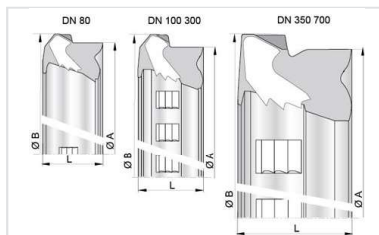
## Main characteristics:

- External and internal coating: red epoxy powder 250µm (PECR)
- Type of joint: Standard
- Standard Gasket in Nitrile
- EN 598 / CE Marking
- Declaration of performances [DoP-INTEGRAL005EN](#)
- Mark NF
- Designed according to the regulatory texts:
  - NF EN 476: general prescriptions for components used in the networks
  - NF EN 752: Conception of sewage projects
  - NF EN 1610: Reception of the works
  - CCTG: Fascicule 70 (sewage work)

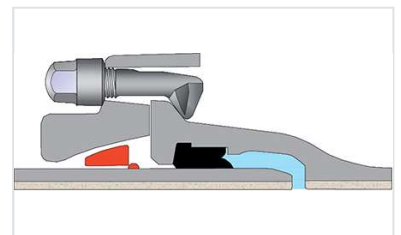
## Linked products



Nitrile STD Gasket  
DN80-2000



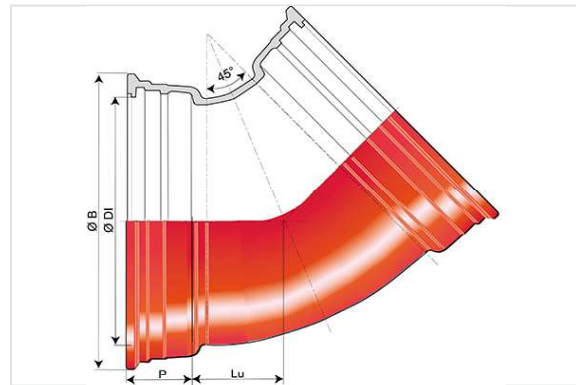
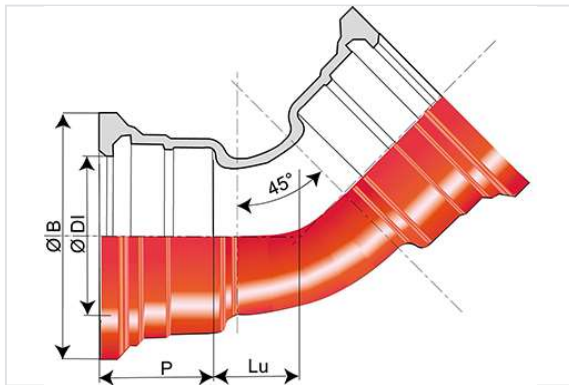
Gasket ViLoK® (NBR STD  
Vi) DN80-700



STD Ve joint for INTEGRAL  
STD Fittings

*The information on this sketch is, to the best of our knowledge correct at the time of printing. However Saint-Gobain are constantly looking at ways of improving their products and services therefore reserve the right to change without prior notice, any of the data shown. Any orders placed will be subject to our Standard Conditions of Sale, available on request.*

**Bend 45° (1/8) INTEGRAL with 2 sockets STANDARD**



Angle	DN (mm)	Lu (mm)	P (mm)	ØDI (mm)	ØB (mm)	Mass (kg)	References
45°	80	56.5	85	101	167.5	7.300	TSA80CB
45°	100	65	88	121	187.5	9.300	TSB10CB
45°	125	83.5	91	147	214.5	12.800	TSB12CB
45°	150	92.5	94	173	241	16.200	TSB15CB
45°	200	100	100	225	294	24.500	TSB20CB
45°	250	136	105	277	351	41.500	TSB25CB
45°	300	167.5	110	329	408	60.500	TSB30CB
45°	350	168	110	381.4	464.3	73.500	TSB35CB
45°	400	189	112	432.4	515.3	91.000	TSB40CB
45°	450	216	115.5	483.5	573	118.300	TSB45CB
45°	500	220	117.5	535.5	628	149.000	TSB50CB
45°	600	283	132.5	638.6	737	216.000	TSB60CB
45°	700	335.5	150	742.2	861	319.000	TSB70CB
45°	800	364.5	160	846.3	972	414.100	TSB80CB
45°	900	403.5	175	949.4	1080	545.100	TSB90CB
45°	1000	439.5	185	1052.5	1189	703.300	TSC10CB

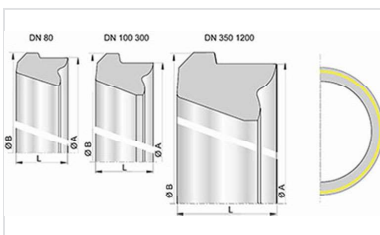
## Field of use:

- Separate sewer system and combined sewer system
- Application: gravity flow and rising main sewerage systems
- Type of effluent: domestic wastewater and rainwater
- For networks with rising main under pressure
- For effluents between pH1 and pH13

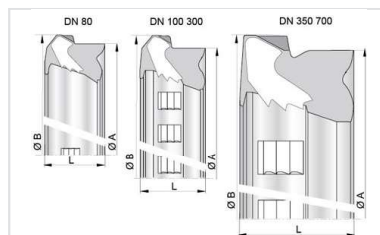
## Main characteristics:

- External and internal coating: red epoxy powder 250µm (PECR)
- Type of joint: Standard
- Standard Gasket in Nitrile
- EN 598 / CE Marking
- Declaration of performances [DoP-INTEGRAL005EN](#)
- Mark NF
- Designed according to the regulatory texts:
  - NF EN 476: general prescriptions for components used in the networks
  - NF EN 752: Conception of sewage projects
  - NF EN 1610: Reception of the works
  - CCTG: Fascicule 70 (sewage work)

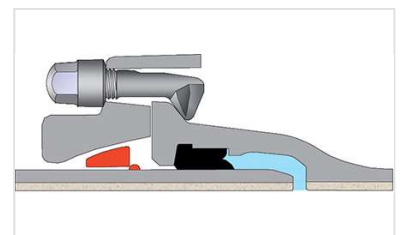
## Linked products



Nitrile STD Gasket  
DN80-2000



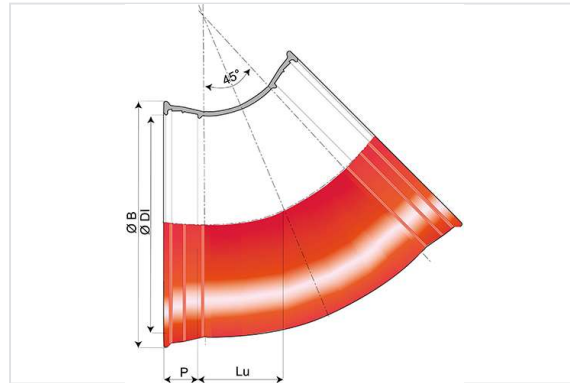
Gasket ViLoK® (NBR STD  
Vi) DN80-700



STD Ve joint for INTEGRAL  
STD Fittings

*The information on this sketch is, to the best of our knowledge correct at the time of printing. However Saint-Gobain are constantly looking at ways of improving their products and services therefore reserve the right to change without prior notice, any of the data shown. Any orders placed will be subject to our Standard Conditions of Sale, available on request.*

## Bend 45° (1/8) INTEGRAL with 2 sockets STANDARD



Angle	DN (mm)	Lu (mm)	P (mm)	ØDI (mm)	ØB (mm)	Mass (kg)	References
45°	1100	540	190	1155	1300	980.000	SSC11CB00FF
45°	1200	537.5	195	1263	1412.5	1015.000	SSC12CB00FF
45°	1400	522	255	1467	1600	1555.000	SSC14CB00FF
45°	1500	572	280	1570	1742	1815.000	SSC15CB00FF
45°	1600	563	275	1673	1820	2089.000	SSC16CB00FF
45°	1800	642	258	1881.7	2038.2	3126.000	SSC18CB00FF
45°	2000	685	290	2089	2269	3702.000	SSC20CB00FF

### Field of use:

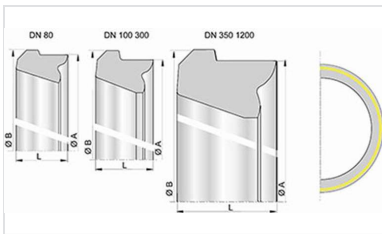
- Separate sewer system and combined sewer system
- Application: gravity flow and rising main sewerage systems
- Type of effluent: domestic wastewater and rainwater
- For networks with rising main under pressure
- For effluents between pH1 and pH13

### Main characteristics:

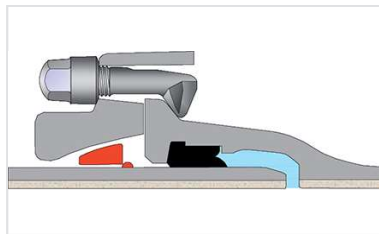
- External and internal coating: red epoxy powder 250µm (PECR)
- Type of joint: Standard
- Standard Gasket in Nitrile
- EN 598 / CE Marking
- Declaration of performances [DoP-INTEGRAL005EN](#)
- Mark NF

- Designed according to the regulatory texts:
  - NF EN 476: general prescriptions for components used in the networks
  - NF EN 752: Conception of sewage projects
  - NF EN 1610: Reception of the works
  - CCTG: Fascicule 70 (sewage work)

## Linked products



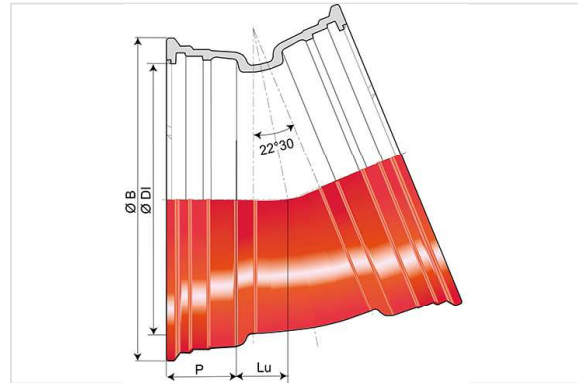
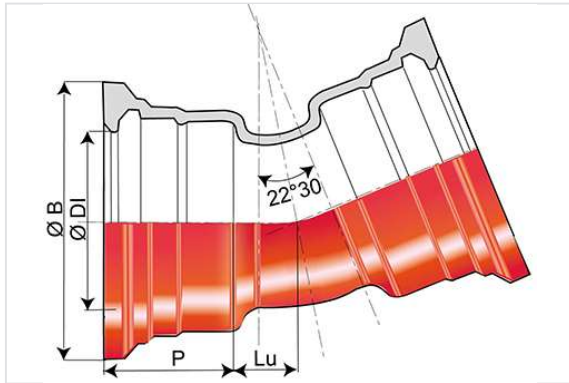
Nitrile STD Gasket  
DN80-2000



STD Ve joint for INTEGRAL  
STD Fittings

*The information on this sketch is, to the best of our knowledge correct at the time of printing. However Saint-Gobain are constantly looking at ways of improving their products and services therefore reserve the right to change without prior notice, any of the data shown. Any orders placed will be subject to our Standard Conditions of Sale, available on request.*

**Bend 22°30 (1/16) INTEGRAL with 2 sockets STANDARD**



Angle	DN (mm)	Lu (mm)	P (mm)	ØDI (mm)	ØB (mm)	Mass (kg)	References
22°30	80	32	85	101	167.5	6.500	TSA80CD
22°30	100	35	88	121	187.5	8.200	TSB10CD
22°30	125	38	91	147	214.5	10.400	TSB12CD
22°30	150	42	94	173	241	12.800	TSB15CD
22°30	200	51	100	225	294	19.700	TSB20CD
22°30	250	70	105	277	351	32.200	TSB25CD
22°30	300	70	110	329	408	43.700	TSB30CD
22°30	350	78	110	381.4	464.3	58.000	TSB35CD
22°30	400	92	112	432.4	515.3	71.000	TSB40CD
22°30	450	100	115.5	483.5	573	90.000	TSB45CD
22°30	500	110	117.5	535.5	628	111.000	TSB50CD
22°30	600	140	132.5	638.6	737	158.000	TSB60CD
22°30	700	157.5	150	742.2	861	239.000	TSB70CD
22°30	800	170.5	160	846.3	972	303.000	TSB80CD
22°30	900	197.5	175	949.4	1080	405.600	TSB90CD
22°30	1000	217.5	185	1052.5	1189	507.400	TSC10CD

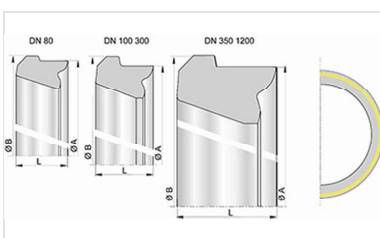
## Field of use:

- Separate sewer system and combined sewer system
- Application: gravity flow and rising main sewerage systems
- Type of effluent: domestic wastewater and rainwater
- For networks with rising main under pressure
- For effluents between pH1 and pH13

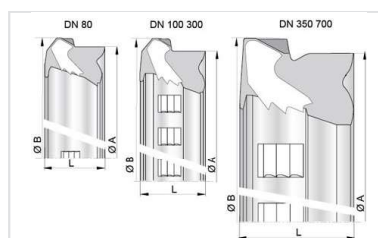
## Main characteristics:

- External and internal coating: red epoxy powder 250µm (PECR)
- Type of joint: Standard
- Standard Gasket in Nitrile
- EN 598 / CE Marking
- Declaration of performances [DoP-INTEGRAL005EN](#)
- Mark NF
- Designed according to the regulatory texts:
  - NF EN 476: general prescriptions for components used in the networks
  - NF EN 752: Conception of sewage projects
  - NF EN 1610: Reception of the works
  - CCTG: Fascicule 70 (sewage work)

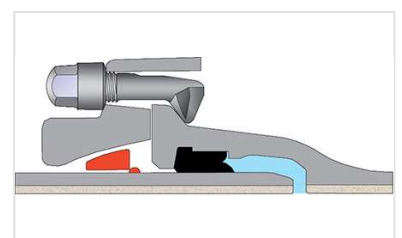
## Linked products



Nitrile STD Gasket  
DN80-2000



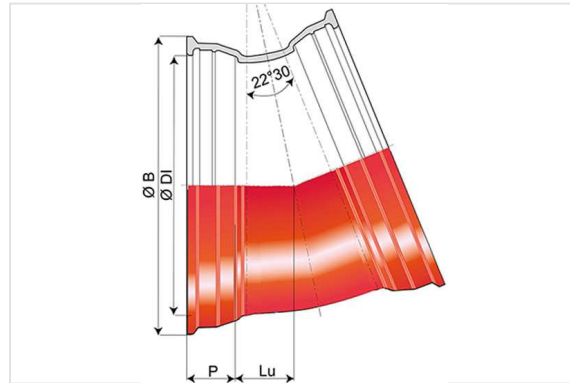
Gasket ViLoK® (NBR STD  
Vi) DN80-700



STD Ve joint for INTEGRAL  
STD Fittings

*The information on this sketch is, to the best of our knowledge correct at the time of printing. However Saint-Gobain are constantly looking at ways of improving their products and services therefore reserve the right to change without prior notice, any of the data shown. Any orders placed will be subject to our Standard Conditions of Sale, available on request.*

## Bend 22°30 (1/16) INTEGRAL with 2 sockets STANDARD



Angle	DN (mm)	Lu (mm)	P (mm)	ØDI (mm)	ØB (mm)	Mass (kg)	References
22°30	1100	275	190	1155	1300	650.000	SSC11CD00FF
22°30	1200	258.5	195	1263	1412.5	644.000	SSC12CD00FF
22°30	1400	264	255	1467	1600	1107.000	SSC14CD00FF
22°30	1500	314	280	1570	1742	1367.000	SSC15CD00FF
22°30	1600	284	275	1673	1820	1479.000	SSC16CD00FF
22°30	1800	337	258	1881.7	2038.2	2070.000	SSC18CD00FF
22°30	2000	355	290	2089	2269	2668.000	SSC20CD00FF

### Field of use:

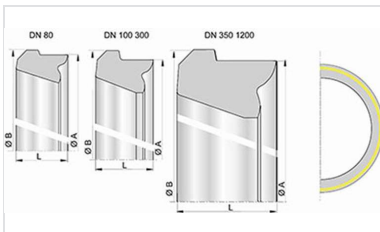
- Separate sewer system and combined sewer system
- Application: gravity flow and rising main sewerage systems
- Type of effluent: domestic wastewater and rainwater
- For networks with rising main under pressure
- For effluents between pH1 and pH13

### Main characteristics:

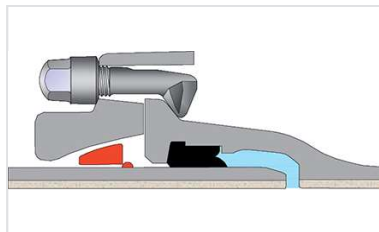
- External and internal coating: red epoxy powder 250µm (PECR)
- Type of joint: Standard
- Standard Gasket in Nitrile
- EN 598 / CE Marking
- Declaration of performances [DoP-INTEGRAL005EN](#)
- Mark NF

- Designed according to the regulatory texts:
  - NF EN 476: general prescriptions for components used in the networks
  - NF EN 752: Conception of sewage projects
  - NF EN 1610: Reception of the works
  - CCTG: Fascicule 70 (sewage work)

## Linked products



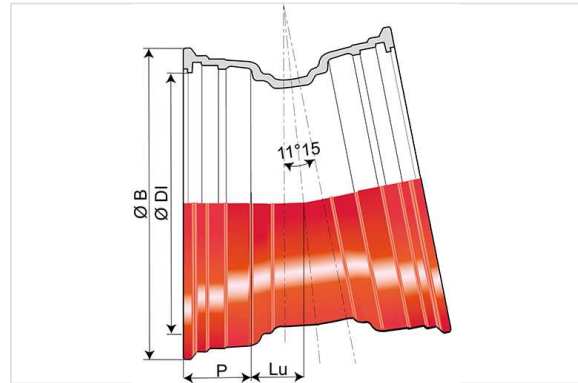
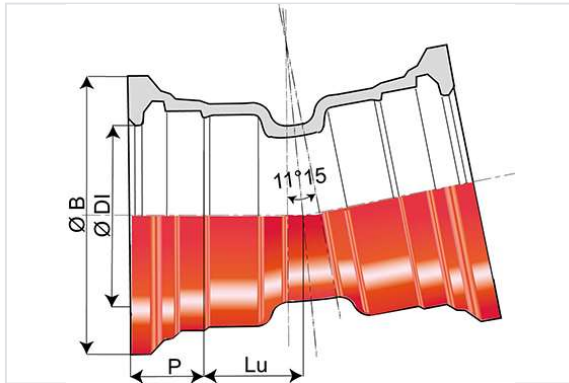
Nitrile STD Gasket  
DN80-2000



STD Ve joint for INTEGRAL  
STD Fittings

*The information on this sketch is, to the best of our knowledge correct at the time of printing. However Saint-Gobain are constantly looking at ways of improving their products and services therefore reserve the right to change without prior notice, any of the data shown. Any orders placed will be subject to our Standard Conditions of Sale, available on request.*

**Bend 11°15 (1/32) INTEGRAL with 2 sockets STANDARD**



Angle	DN (mm)	Lu (mm)	P (mm)	ØDI (mm)	ØB (mm)	Mass (kg)	References
11°15	80	40	85	101	167.5	6.800	TSA80CE
11°15	100	40	88	121	187.5	8.300	TSB10CE
11°15	125	45	91	147	214.5	10.800	TSB12CE
11°15	150	46	94	173	241	13.200	TSB15CE
11°15	200	52	100	225	294	20.000	TSB20CE
11°15	250	55	105	277	351	31.500	TSB25CE
11°15	300	50	110	329	408	41.200	TSB30CE
11°15	350	53	110	381.4	464.3	54.000	TSB35CE
11°15	400	58	112	432.4	515.3	64.500	TSB40CE
11°15	450	67	115.5	483.5	573	79.600	TSB45CE
11°15	500	71	117.5	535.5	628	100.000	TSB50CE
11°15	600	94	132.5	638.6	737	136.000	TSB60CE
11°15	700	87	150	742.2	861	204.000	TSB70CE
11°15	800	90.5	160	846.3	972	253.400	TSB80CE
11°15	900	102.5	175	949.4	1080	325.600	TSB90CE
11°15	1000	117.5	185	1052.5	1189	414.400	TSC10CE

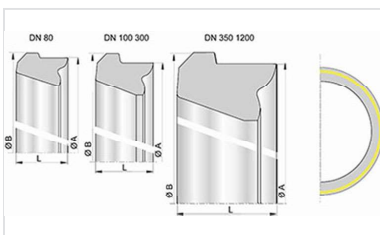
## Field of use:

- Separate sewer system and combined sewer system
- Application: gravity flow and rising main sewerage systems
- Type of effluent: domestic wastewater and rainwater
- For networks with rising main under pressure
- For effluents between pH1 and pH13

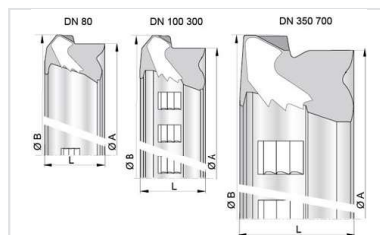
## Main characteristics:

- External and internal coating: red epoxy powder 250µm (PECR)
- Type of joint: Standard
- Standard Gasket in Nitrile
- EN 598 / CE Marking
- Declaration of performances [DoP-INTEGRAL005EN](#)
- Mark NF
- Designed according to the regulatory texts:
  - NF EN 476: general prescriptions for components used in the networks
  - NF EN 752: Conception of sewage projects
  - NF EN 1610: Reception of the works
  - CCTG: Fascicule 70 (sewage work)

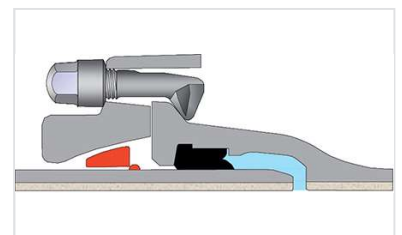
## Linked products



Nitrile STD Gasket  
DN80-2000



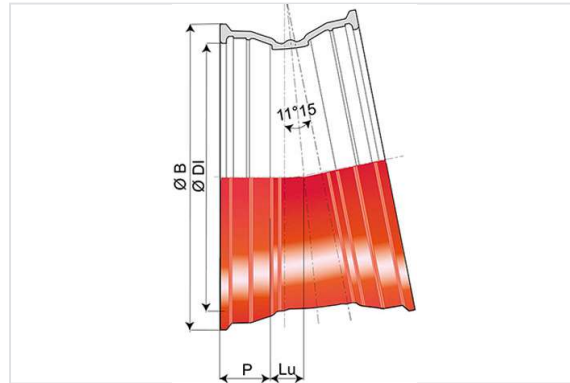
Gasket ViLoK® (NBR STD  
Vi) DN80-700



STD Ve joint for INTEGRAL  
STD Fittings

*The information on this sketch is, to the best of our knowledge correct at the time of printing. However Saint-Gobain are constantly looking at ways of improving their products and services therefore reserve the right to change without prior notice, any of the data shown. Any orders placed will be subject to our Standard Conditions of Sale, available on request.*

## Bend 11°15 (1/32) INTEGRAL with 2 sockets STANDARD



Angle	DN (mm)	Lu (mm)	P (mm)	ØDI (mm)	ØB (mm)	Mass (kg)	References
11°15	1100	140	190	1155	1300	490.000	SSC11CE00FF
11°15	1200	137.5	195	1263	1412.5	478.000	SSC12CE00FF
11°15	1400	143	255	1467	1600	884.000	SSC14CE00FF
11°15	1500	193	280	1570	1742	1143.000	SSC15CE00FF
11°15	1600	153	275	1673	1820	1173.000	SSC16CE00FF
11°15	1800	200	258	1881.7	2038.2	1542.000	SSC18CE00FF
11°15	2000	200	290	2089	2269	2151.000	SSC20CE00FF

### Field of use:

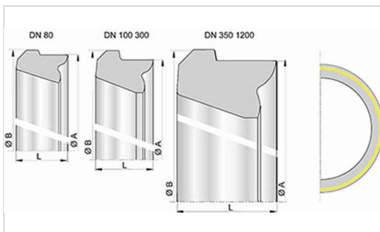
- Separate sewer system and combined sewer system
- Application: gravity flow and rising main sewerage systems
- Type of effluent: domestic wastewater and rainwater
- For networks with rising main under pressure
- For effluents between pH1 and pH13

### Main characteristics:

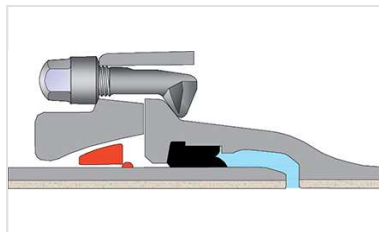
- External and internal coating: red epoxy powder 250µm (PECR)
- Type of joint: Standard
- Standard Gasket in Nitrile
- EN 598 / CE Marking
- Declaration of performances [DoP-INTEGRAL005EN](#)
- Mark NF

- Designed according to the regulatory texts:
  - NF EN 476: general prescriptions for components used in the networks
  - NF EN 752: Conception of sewage projects
  - NF EN 1610: Reception of the works
  - CCTG: Fascicule 70 (sewage work)

## Linked products



Nitrile STD Gasket  
DN80-2000



STD Ve joint for INTEGRAL  
STD Fittings

*The information on this sketch is, to the best of our knowledge correct at the time of printing. However Saint-Gobain are constantly looking at ways of improving their products and services therefore reserve the right to change without prior notice, any of the data shown. Any orders placed will be subject to our Standard Conditions of Sale, available on request.*