

## Ball valve with Easyflux filter and ball valve with magnetic filter

### Destiny

Ball valve is designed for installation in heating and domestic hot water. You can not install the valve in the gas and oil installations.

### Filter

Bioflux ball valve is an exclusive purification device is incorporated in the valve which guarantees the elimination of solid residue in the plumbing. The highly innovative patent on which valves are based enables a very simple filter cleaning and maintenance procedure, without requiring isolation of the duct. reduces operating costs while ensuring greater resistance and durability of the plumbing system in the long term. Valves are useful in various situations for the protection of heating systems, appliances or simply to improve water quality at home.

### Installation

The ball valve with the Easyflux filter should be installed in accordance with the flow direction of the medium, indicated by the arrow placed on the body. The filter can be mounted in any position.



Easyflux  
with built-in  
filter



Easyflux  
with built-in  
filter with magnet



Type	Catalog number
Ball valve with built-in filter Easyflux 1/2"	100101
Ball valve with built-in filter Easyflux 3/4"	100102
Ball valve with built-in filter Easyflux 1"	100103
Ball valve with built-in filter Easyflux 1 1/4"	100104
Ball valve with built-in filter Easyflux 1 1/2"	100105
Ball valve with built-in filter Easyflux 2"	100106

Type	Catalog number
Ball valve with built-in filter Easyflux 3/4", with magnet	100162
Ball valve with built-in filter Easyflux 1", with magnet	100163
Ball valve with built-in filter Easyflux 1 1/4", with magnet	100164
Ball valve with built-in filter Easyflux 1 1/2", with magnet	100165
Ball valve with built-in filter Easyflux 2", with magnet	100166

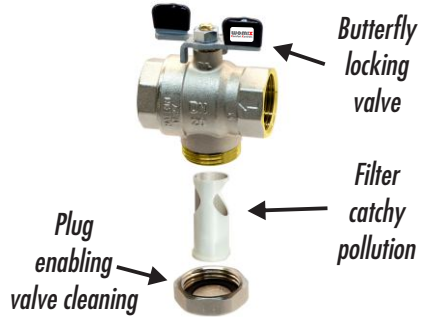


### Maintenance

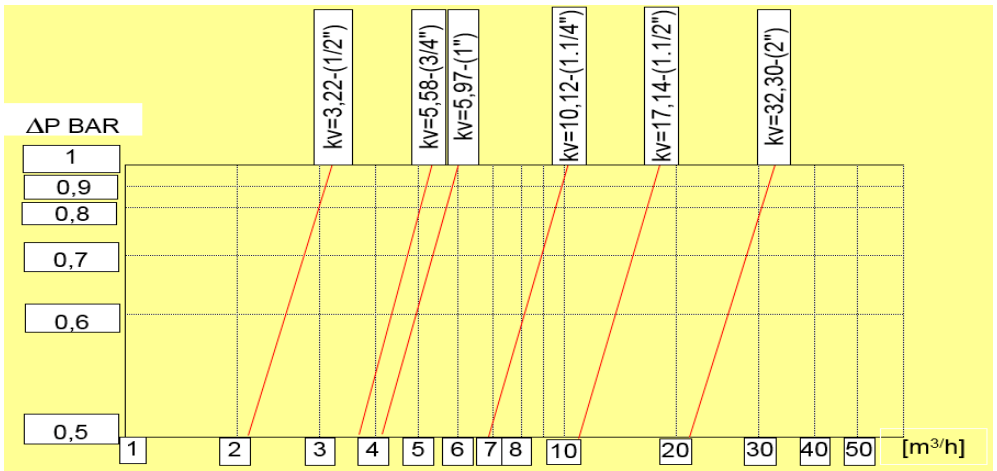
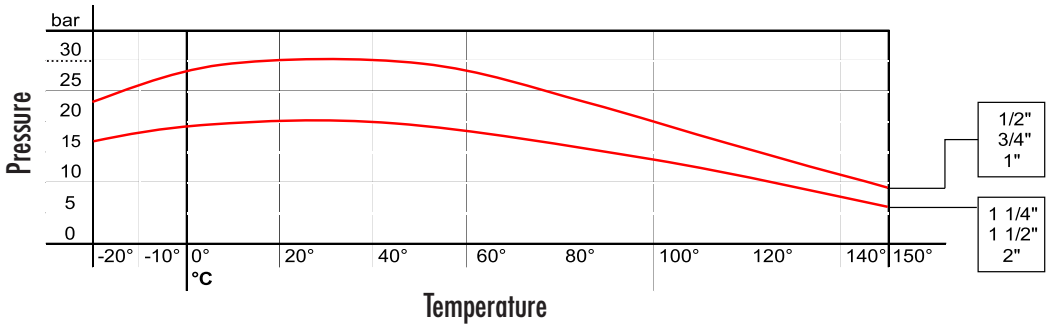
To clean the filter, close the ball valve and use a wrench to unscrew the closing cover. After unscrewing, remove the sieve and clean it thoroughly. After cleaning, the sieve should be put in the same place (pay attention to the guide), tighten the cover and open the ball valve.

### Cleaning instructions:

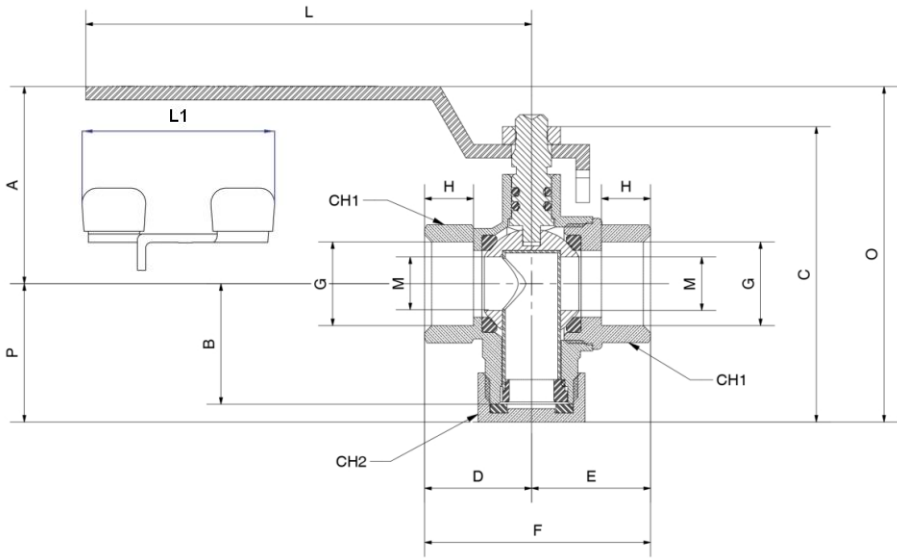
1. Close the valve
2. Remove the cap.
3. Remove the filter
4. Clean the filter
5. Insert the filter
6. Replace the cap
7. Open the valve



Flow characteristics



Dimensions



Size	A	B	C	D	E	F	H	L	L1	DN	M	O	P	CH1 OCT.	CH2 HEX.	PN Max BAR
1/2"	44,2	27	66,2	24	26,7	50,7	11	100	68	12	75,2	31	25	24	30	
3/4"	47,4	30,9	73,5	29	32,3	61,3	13	100	68	16	82,5	35,1	31	30	30	
1"	50,8	34,5	80,5	34,5	35,6	70,1	15	100	68	20	89,5	38,7	38	38	30	
1 1/4"	74	46,5	106	40	45	85	17	158	-	28	125,5	51,5	48	46	20	
1 1/2"	80	52,5	118	45,5	52	97,5	17	158	-	36	137,5	57,5	54	55	20	
2"	88,5	63,5	143	54	63	117	20	158	-	46	157,0	68,5	66	65	20	