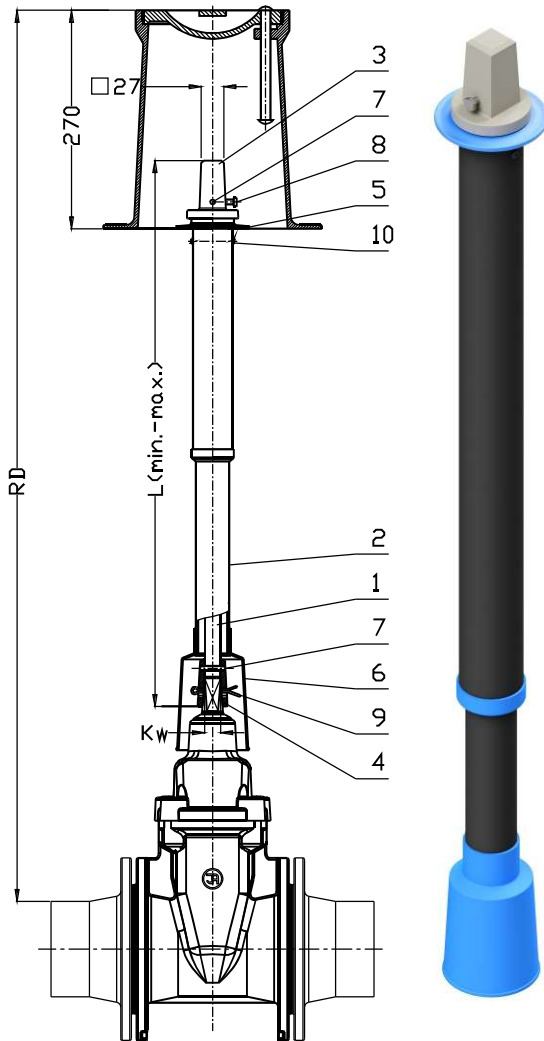


Telescopic extension spindle

PN10
PN16

SEWAGE

WATER



No.	Part	Standard execution
1	Spindle(Rod)	Steel Fe/Zn5 EN 10027-2 Stainless steel (*) EN 10027-2
2	Casing liner	Polyethylene PE EN ISO 17855-1
3	Cap	Ductile cast iron EN-GJS 400-15 EN 1560
4	Coupling	Ductile cast iron EN-GJS 400-15 EN 1560
5	Collar	Polyethylene PE EN ISO 17855-1
6	Pipe bell	Polyethylene PE EN ISO 17855-1
7	Spring pin	Steel Fe/Zn5, Stainless steel (*) EN ISO 8752
8	Screw	Steel Fe/Zn5, Stainless steel (*) EN ISO 4017
9	Split cotter	Steel Fe/Zn5, Stainless steel (*) EN ISO 1234
10	Screw	Steel Fe/Zn5, Stainless steel (*) EN ISO 7049

(*) - other material variants on special request

Product description (standard execution):

- Spindle secured against tearing, the ability to adapt to the terrain in the given range
- Cap made of ductile cast iron EN-GJS 400-15
- The spindle tightly fitted into the square profile
- The coupling of ductile iron EN-GJS 400-15 mounted on the valve stem with the split cotter
- Casing liner cup pipe bell and thrust washer made of PE
- Pipe bell protects against pollution from the ground
- Height adjuster for setting casing at any height

Application:

Flexible and safe extension of the valve stem. Underground mounted

Accessories:

- With pillar handwheel see: 9113
- With pillar for electric actuator see: 9114
- With T-key see: 9015
- With street box see: 9501; 9502; 9503; 9504; 9509

TYP 9011		RD 600-900		RD 900-1300		RD 1300-1800		RD 2000-2500		RD 2500-3100	
DN	Kw	L _(min)	L _(max)	L _(min)	L _(max)	L _(min)	L _(max)	L _(min)	L _(max)	L _(min)	L _(max)
		[mm]		[mm]		[mm]		[mm]		[mm]	
		Weight [kg]		Weight [kg]		Weight [kg]		Weight [kg]		Weight [kg]	
25	12	RD 750-925	RD 925-1300	986	1486	1686	2186	2237	2637		
		436	611	611	996						
		2,2	3,1		4,1		5,3		13,0		
32	12	RD 725-925	RD 925-1300	1008	1508	1708	2208	2259	2859		
		433	633	633	1008						
		2,3	3,2		4,1		5,3		13,0		
40	12, 14	RD 775-950	RD 950-1300	941	1441	1641	2141	2198	2798		
		416	591	591	941						
		2,2	3,0		4,0		5,2		13,1		
50	12, 14	RD 775-950	RD 950-1300	936	1436	1636	2136	2193	2793		
		411	586	586	936						
		2,2	3,0		4,0		5,2		13,1		
65	17	-	RD 975-1300	915	1415	1615	2115	2166	2766		
			590	915							
			2,9	4,0		5,2		13,0			
80	17	-	RD 975-1300	897	1397	1597	2097	2148	2748		
			572	897							
			2,9	4,0		5,1		12,9			
100	19	-	RD 1000-1300	872	1372	1572	2072	2123	2723		
			572	872							
			2,8	3,9		5,1		12,8			
125	19	-	RD 1000-1300	845	1345	1545	2045	2096	2696		
			545	845							
			2,8	3,9		5,0		12,7			
150	19	-	RD 1050-1300	766	1266	1466	1966	2017	2617		
			516	766							
			2,6	3,7		4,9		12,4			
200	24	-	RD 1075-1325	RD 1325-1800	1426	1926	1965	2565			
			501	751	751	1226					
			2,90	4,0		5,1		12,3			
250	27	-	RD 1125-1350	RD 1350-1800	1353	1853	1892	2492			
			478	703	703	1153					
			2,80	3,9		5,1		12,1			
300	27	-	RD 1175-1375	RD 1375-1800	1304	1804	1843	2443			
			479	679	679	1104					
			2,7	3,7		5,0		12,0			
350	27	-	RD 1200-1400	RD 1400-1800	1247	1747	1786	2386			
			447	647	647	1047					
			2,7	3,6		4,9		11,8			
400	32	-	-	RD 1525-1800	1082	1582	1582	2182			
				607	892						
				6,0	8,9		11,2				
500	36	-	-	RD 1600-1800	927	1427	1427	2027			
				527	727						
				5,4	8,5		10,8				
600	36	-	-	RD 1650-1800	808	1308	1308	1908			
				458	608						
				4,8	8,1		10,4				

We reserve the rights to modify the production program and the given data without separate notices due to the permanent company development