

# ELECTO SJ



## ELECTRONIC SINGLE JET METER

ElecTo SJ is single jet meter offering built-in data communication thanks to its innovative electronic radio register. Designed specifically for residential installations, it is available for both cold and hot water applications. Its large LCD display makes it very easy to read, while providing additional information to both users and operators. Suitable for remote data reading using mobile and fixed systems, it fully meets the requirements of the European Directive on energy efficiency.

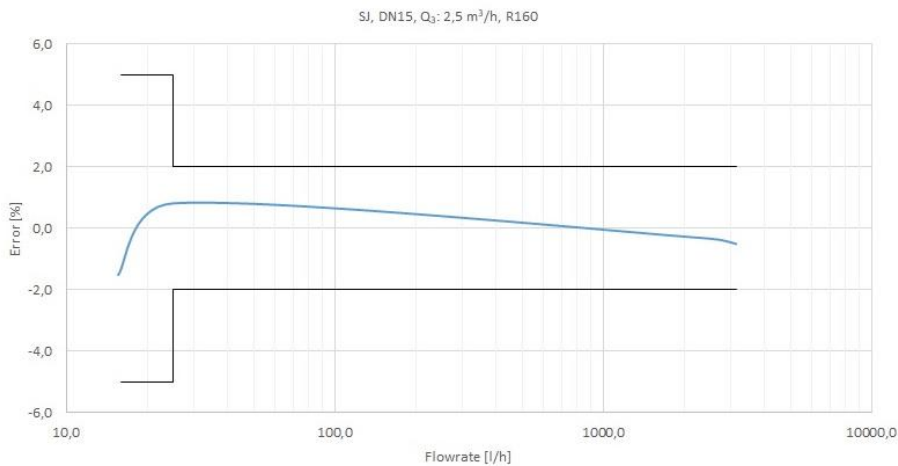
# ELECTO SJ

## FEATURES

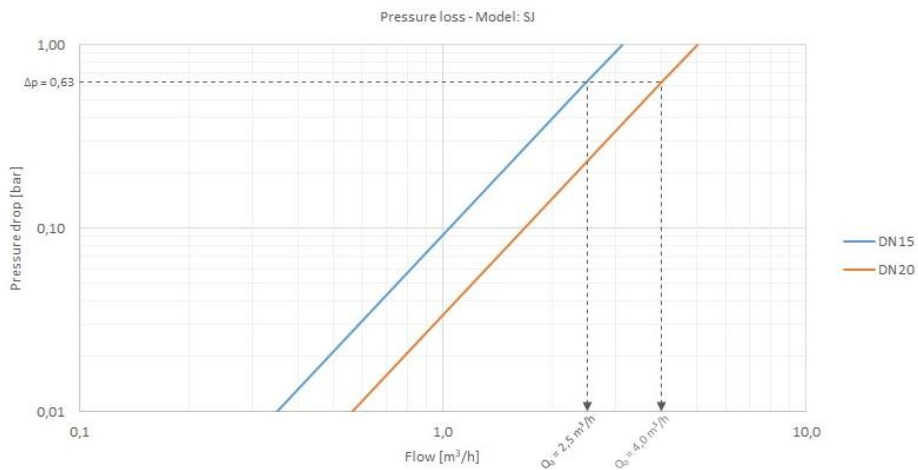
- Electronic single jet meter
- Ideal for residential indoor applications
- Available for hot and cold water
- DN: 15–20
- MID-certified: R 160
- High protection against external magnetic fields
- Health certifications available for a number of countries
- Register can be rotated 360°. IP68 protection
- Integrated wM-Bus, OMS radio
- Lithium battery with a minimum life of 7, 13 (default) or 15 years
- Fault detection: fraud, loss, overconsumption, reverse flow, blocked meter and reversed meter
- Programming and maintenance kit available upon request
- For further information on the functionality of electronic register and radio transmission, please refer to the instruction manual



## TYPICAL ERROR CURVE



## HEAD LOSS DIAGRAM



## METROLOGICAL PERFORMANCE

Size	mm	15	20
	in	½	¾

Modulo B no. TCM 142/20 – 5700

Modulo D no. 0119-SJ-A010-08

Q <sub>3</sub> /Q <sub>1</sub> = R Referred to installation position	H↑ ≤ 100 H→; V↓ ≤ 50 V↑ ≤ 40	H↑ ≤ 160 H→; V↓ ≤ 80 V↑ ≤ 63	H↑ ≤ 100 H→; V↓ ≤ 50 V↑ ≤ 40	H↑ ≤ 160 H→; V↓ ≤ 80 V↑ ≤ 63

### MID standard performance \*

Q <sub>3</sub>	m <sup>3</sup> /h	1,6	2,5	4
Q <sub>4</sub>	m <sup>3</sup> /h	2	3,13	5

**R 100**

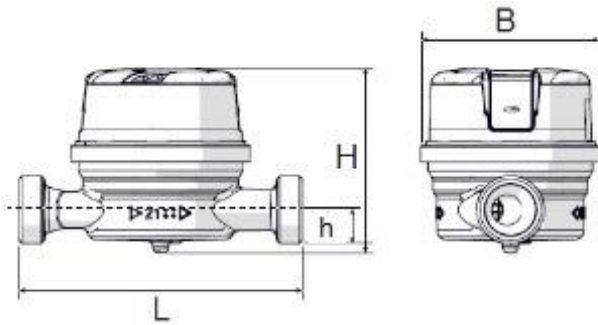
Q <sub>1</sub>	l/h	16	25	40
Q <sub>2</sub>	l/h	25,60	40	64

\* Other values of R available upon request.

## TECHNICAL DATA

Maximum permissible error between Q <sub>1</sub> and Q <sub>2</sub> (excluded)		+/- 5%	
Maximum permissible error between Q <sub>2</sub> (included) and Q <sub>4</sub>		+/- 2% with water temperature ≤ 30°C +/- 3% with water temperature > 30°C	
Temperature class		T30, T50, T30/90	
Flow profile sensitivity classes		U0 – D0	
Starting flow rate	l/h	4,5	8
Head loss		ΔP63	
Nominal pressure	bar	16	
Maximum reading	m <sup>3</sup>	99.999	
Minimum reading	l	0,001	
Indicative weight	kg	0,39	0,45

## DIMENSIONS



<b>Size</b>	<b>mm</b>	15		20
	<b>in</b>	½		¾
<b>Thread</b>	<b>in</b>	G ¾ B		G 1 B
	<b>mm</b>	80*/110/115/120/130 *only Q <sub>s</sub> 2,5 R ≤H100 VR63	80*/110/115/120/130 – *Starting flow rate 7l/h	115/130
<b>H</b>	<b>mm</b>	72		
<b>h</b>	<b>mm</b>	11,7		16,7
<b>B</b>	<b>mm</b>	65		