

# G940 Mk 3

# Domestic Meter Regulator

**COMPACT DESIGN • TWO-PIECE CAST CONSTRUCTION • APPROVED TO PRS3/ PRS3E  
SIZES 3/4" & 1" • NO SERVICE REQUIREMENTS • UNDER PRESSURE SHUT OFF OPTION**

## APPLICATION / OPERATION

THE G940 IS A LOW-PRESSURE, COMPACT, DOMESTIC METER REGULATOR SPECIFICALLY DESIGNED FOR USE WITH 1ST, 2ND AND 3RD FAMILY GASSES.

The G940 links accurate pressure control and reliability with no service requirements throughout its product life.

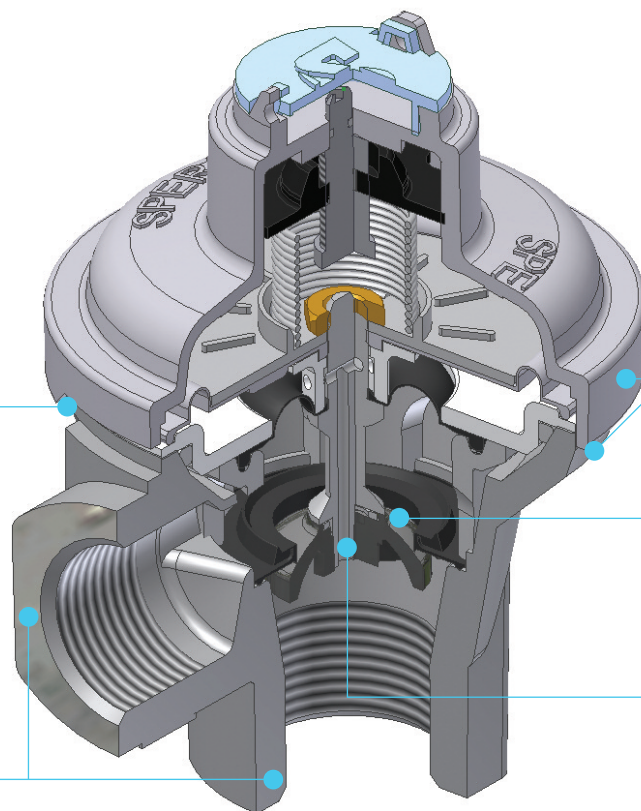
The G940 is ideally suited for use on metering installations, incorporating G2.5, G4 (U6) and E6 size meters and can be supplied as part of a metering solutions package.



**01:** Compact Design:  
Ensures ease of installation  
into all types of meter boxes

**02:** Downward crimp design:  
Improved crimp strength for lid  
retention, increased impact  
resistance and enhanced  
sealing integrity.

**03:** Heavy wall thickness at  
threaded connections: Minimised  
potential for leak paths



**06:** Two piece cast  
construction: Robust design  
to ensure long service life

**05:** Large Metering diameter: Low  
Pressure absorption capabilities

**04:** Fully concentric aluminium spindle:  
Robust material for long service life

## OPERATING SPECIFICATION

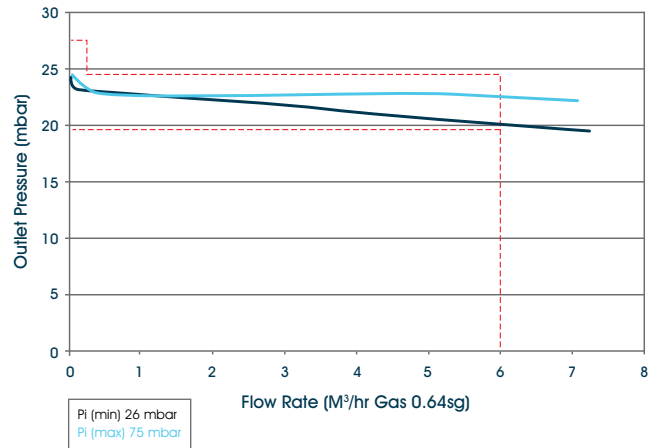
| Maximum Incidental Pressure | Operating Pressure Range | Outlet Pressure Range | Operating Temperature |
|-----------------------------|--------------------------|-----------------------|-----------------------|
| 350mbar                     | 26mbar - 200mbar         | 17mbar - 37.5mbar     | -20°C to +60°C        |

## PERFORMANCE

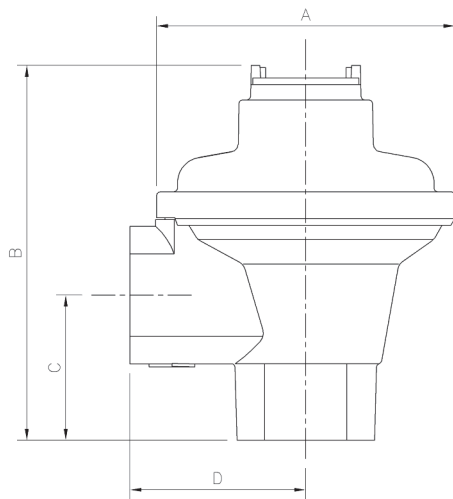
Complies to UK specifications PRS3, PRS3E and the European standard EN88:

| Capacity                                       | Nominal Outlet Pressure | Operating Pressure Range |
|--|-------------------------|--------------------------|
| 6m <sup>3</sup> /hr<br>(0.64sg<br>Natural Gas) | 21mbar                  | 26mbar - 200mbar         |

### TESTED IN ACCORDANCE WITH PRS3



## DIMENSIONS & WEIGHT



| Connection Size   | Weight | A    | B     | C    | D    |
|-------------------|--------|------|-------|------|------|
| 3/4" & 1" to BS21 | 250g   | 78mm | 100mm | 38mm | 46mm |

## MATERIALS

| Name                | Material            |
|---------------------|---------------------|
| Body                | Aluminium           |
| Valve Bob           | Acetal Resin        |
| O-Ring              | Nitrile             |
| Insert Tube         | Acetal Resin        |
| Insert Plate        | Acetal Resin        |
| O-Ring              | Nitrile             |
| Secondary Diaphragm | Nitrile             |
| Diaphragm Plate     | Acetal Resin        |
| Valve Seat          | Nitrile             |
| Spindle             | Aluminium           |
| Diaphragm Spacer    | Acetal Resin        |
| Main Diaphragm      | Nitrile             |
| Lid                 | Aluminium           |
| Locknut             | Brass               |
| Spring              | Stainless Steel     |
| Adjusting Plate     | Acetal Resin        |
| Adjusting Spindle   | Steel               |
| O-Ring              | Nitrile             |
| Push On Clip        | Spring Steel        |
| Top Cat             | Nylon               |
| Label               | Self Adhesive Vinyl |
| Security Seal       | Lead & steel wire   |

# SPERRYN

## GAS CONTROLS

DELTA ROAD, ST HELENS, WA9 2ED  
 TELEPHONE: +44 (0)1744 611 819 FAX: +44 (0)1744 26791  
 EMAIL: [sperrysales@cranebsu.com](mailto:sperrysales@cranebsu.com)  
[www.sperryn.co.uk](http://www.sperryn.co.uk)



To visit our Video Library go to:  
[www.youtube.com/user/CraneBSU](http://www.youtube.com/user/CraneBSU)



Every effort has been made to ensure that the information contained in this publication is accurate at the time of publishing. Crane Ltd assumes no responsibility or liability for typographical errors or omissions or for any misinterpretation of the information within the publication and reserves the right to change without notice.

S-G940MK3-0113