

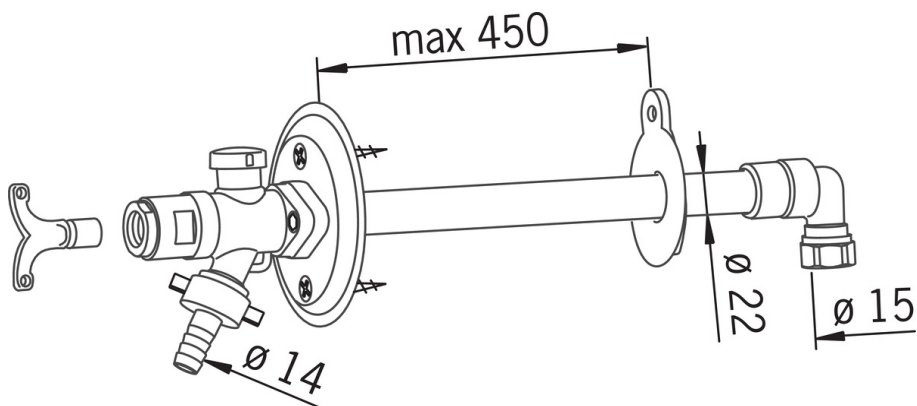
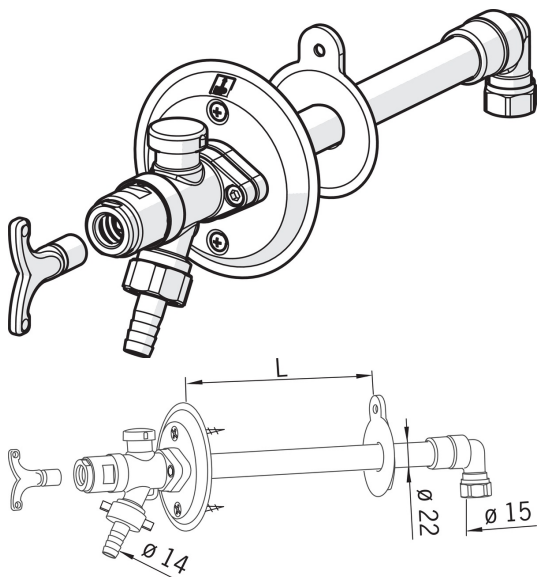
Garden valve, non-freezing L = 250 - 450 mm DN 15 ϕ Cu 15 Recommendation for dimensioning 0.2 l/s/160 kPa

- Garden
- Wall mounted
- Vacuum breaker
- One inlet for cold or premixed water
- Frost proof

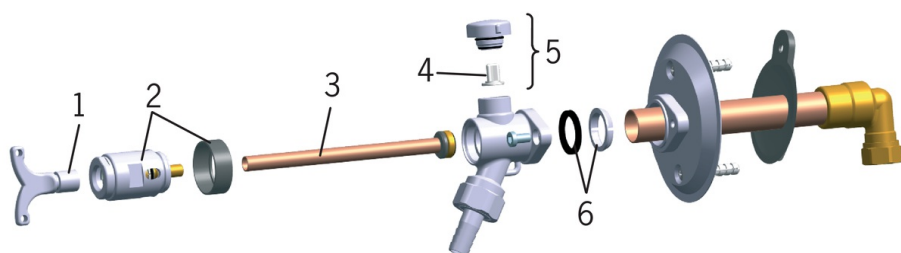
Technical data

Technical properties

DN-size (nominal dimension)	DN15
Hot water supply	max. +80°C
Working pressure	50 - 1000 kPa
Connection size	ϕ 15 mm
Length / Height	450 mm



Spare parts



SP431415

	Name	Code
01	Key	438126
02	Emptying valve	438382V
03	Inside spindle, 450 mm	438383V
03	Inside spindle, long, 1000 mm	438386V
04	Vacuum valve head	438124
05	Vacuum breaker	438090
06	Retainer bushing	438361V