

Rotary actuators for the motorisation of mixing valves

- Torque 5 Nm / 10 Nm / 15 Nm
- Nominal voltage AC 230 V
- Control: 3-point or open-close



3-Point (SPDT)



Open-close (SPST)

Type overview

Type	Control	Torque (@ nominal voltage)	Power consumption (@ nominal torque) with running time (50 Hz)			
			35 s	70 s	140 s	280 s
NR230-..	3-point	5 Nm	3.5 W	3.5 W	2.0 W	2.0 W
		10 Nm	—	—	3.5 W	2.0 W
		15 Nm	—	—	3.5 W	3.5 W
	Open-close	5 Nm	5.5 W	5.5 W	5.5 W	5.5 W
		10 Nm	—	—	5.5 W	5.5 W

Additional combinations on request

Technical data

Electrical data	Nominal voltage	AC 230V, 50/60 Hz
	Nominal voltage range	AC 198 ... 264V
	Power consumption	See «Type overview»
	Connection	Cable 1 m, 3 x 0.75 mm ²
	Parallel operation	No
Functional data	Torque (nominal torque)	See «Type overview»
	Direction of rotation	As an option with terminal blocks
	Angle of rotation	90°↔ electrically limited
	Running time	See «Type overview»
	Sound power level	Max. 35 dB (A)
	Position indication	Reversible display label
	Manual override	Temporary and permanent gear disengagement with rotary knob on the housing
Safety	Protection class	II Totally insulated <input type="checkbox"/>
	Degree of protection	IP40
	EMC	CE according to 2004/108/EC
	Low-voltage directive	CE according to 2006/95/EC
	Mode of operation	Type 1.B (EN 60730-1)
	Rated impulse voltage	4 kV (EN 60730-1)
	Control pollution degree	3 (EN 60730-1)
	Ambient temperature	0 ... +50°C (Duty cycle 140/35 s)
	Medium temperature	+5 ... +120°C (in the mixing valve)
	Non-operating temperature	-30 ... +80°C
	Ambient humidity	95% r.h., non-condensating (EN 60730-1)
	Service life	100,000 full cycles
	Maintenance	Maintenance-free
Dimensions / Weight	Dimensions	See «Dimensions» on page 2
	Weight	Approx. 400 g / 500 g (without mixing valve)

Safety notes



- The actuators have been designed for use in stationary heating, ventilation and air conditioning systems and is not allowed to be used outside the specified field of application, especially in aircraft or in any other airborne means of transport.
- **Caution: Power supply voltage!**
- It may only be installed by suitably trained personnel. Any legal regulations or regulations issued by authorities must be observed during installation.

Safety notes

(continued)

- The devices do not contain any parts that can be replaced or repaired by the user.
- The devices contain electrical and electronic components and are not allowed to be disposed of as household refuse. All locally valid regulations and requirements must be observed.
- The installer must check for correct principle of operation after installation.
- When determining the flow rate characteristic of controlled devices, the recognised directives must be observed.

Product features

Applications	The actuators are utilised in conjunction with a corresponding mounting kit as an actuator for the motorisation of the most common mixing valves in HVAC systems
Simple direct mounting	Simple direct mounting with only one screw. The stud bolt included in delivery serves as a universal mounting bracket. The mounting position can be freely selected in steps of 90° . Thanks to its small, compact design, the actuators fit in most of the cutouts found in the fitting insulation.
Manual operation	Manual operation possible with lever (temporary gear disengagement by pressing, permanent disengagement using rotary knob on the housing).
Functional safety	The angle of rotation is limited to 90° . Once the end stops are reached, the actuators are switched off electrically, thus rendering them deenergised.

Accessories

	Description
Electrical accessories	Potential-free auxiliary switch with 1-pin change-over switch

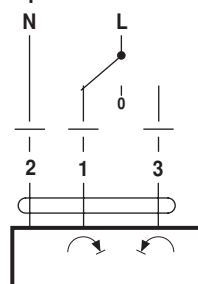
Electrical installation

Wiring diagrams

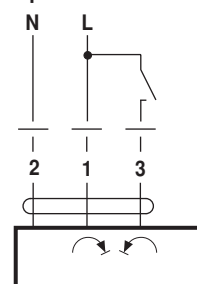
Note
Caution: Power supply voltage!



3-point control



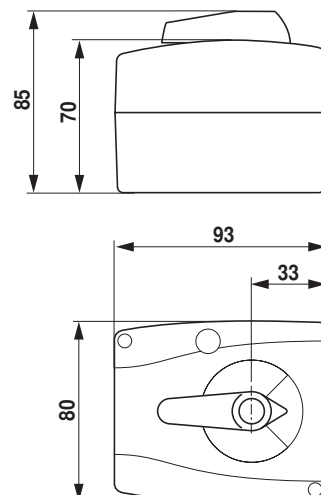
Open-close control



Dimensions [mm]

Dimensional drawings

3-point



Open-close

