

TECHNICAL CATALOGUE

BUILD-IN VALVES AND SUPPLY STOPS

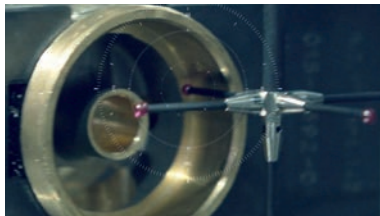
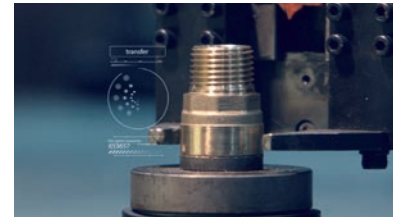
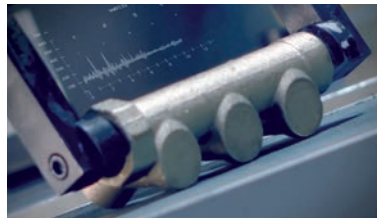
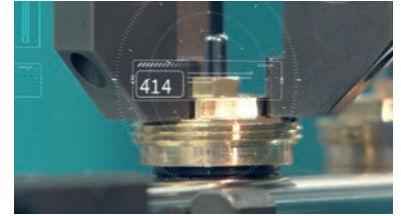
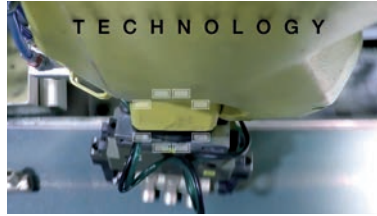


> THE COMPANY

ITAP SpA, founded in Lumezzane (Brescia) in 1972, is currently one of the leading production companies in Italy of **valves, fittings and distribution manifolds** for plumbing and heating systems.

Thanks to fully automated production processes, with 85 transfer machines and 55 assembly lines, we are able to produce 400,000 pieces per day.

Our innate pursuit for innovation and observance of technical regulations is supported by the company certification ISO 9001. The company has always considered its focus on quality as the main tool to obtain significant business results: today ITAP SpA is proud to offer products bearing the approval of numerous international certifying bodies.



> ITAP products have obtained approvals by more than 30 certification bodies from all over the world.





BUILD-IN VALVES AND SUPPLY STOPS

340 Build-in valve with blind cap



SIZE	PRESSURE	CODE	PACKING
1/2" (DN 15)	20bar/290psi	3400012	6/36
3/4" (DN 20)	15bar/217.5psi	3400034	6/36

CERTIFICATIONS



TECHNICAL SPECIFICATIONS

Female/female threads.

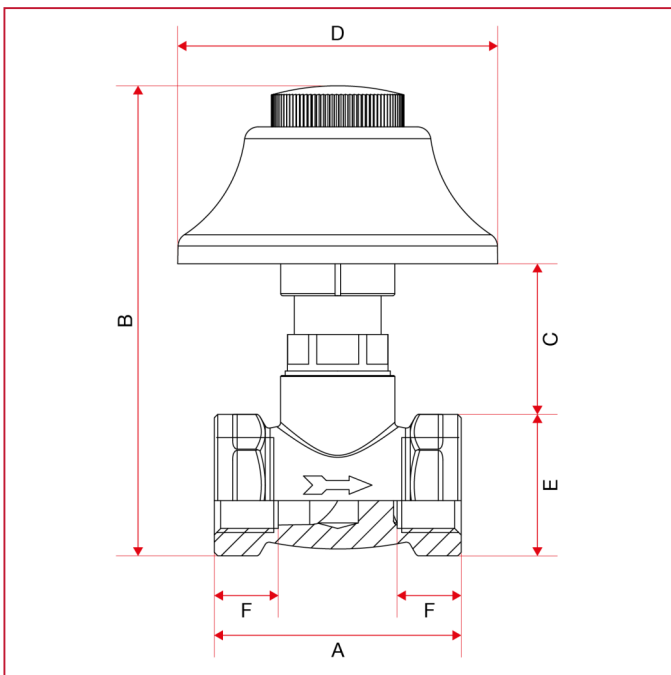
Body in brass.

Cover plate and cap in chrome-plated ABS.

Minimum and maximum working temperatures: 0°C, 110°C in absence of steam.

Threads: ISO 228 (equivalent to DIN EN ISO 228 and BS EN ISO 228).

OVERALL DIMENSIONS

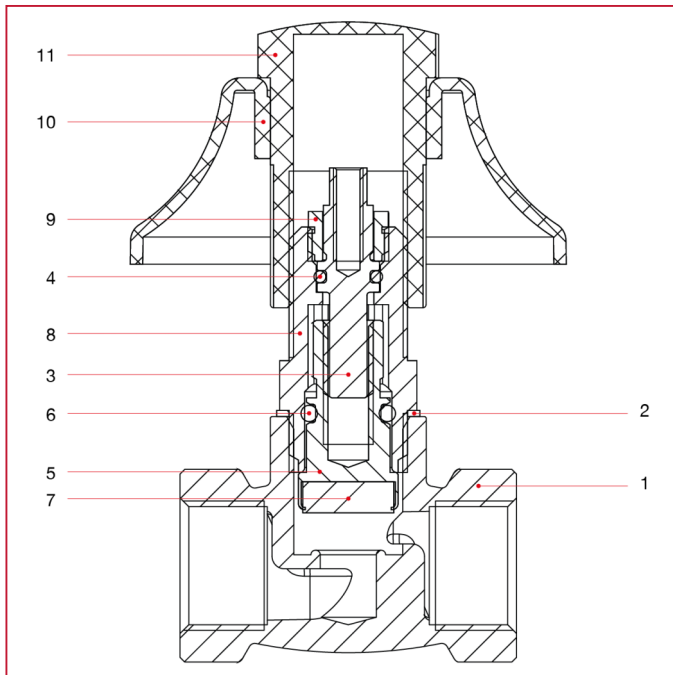




BUILD-IN VALVES AND SUPPLY STOPS

	1/2"	3/4"
DN	15	20
A	54	59,5
B	103	107,5
C	33	33
D	70	70
E	31	35,5
F	14	14
Kg/cm ² bar	20	15
LBS - psi	290	217,5

MATERIALS



POS.	DESCRIPTION	N.	MATERIAL
1	Body	1	Brass CW617N
2	Washer	1	Aluminium
3	Stem	1	Brass CW614N
4	O-ring	1	NBR
5	Screw	1	Brass CW614N
6	O-ring	1	NBR
7	Cap	1	NBR
8	Bonnet body	1	Brass CW614N
9	Nut	1	Brass CW614N
10	Cover-plate	1	Chrome-plated ABS
11	Cap	1	Chrome-plated ABS



BUILD-IN VALVES AND SUPPLY STOPS

PROL340 Spacer



CODE	PACKING
PROL340	1/150

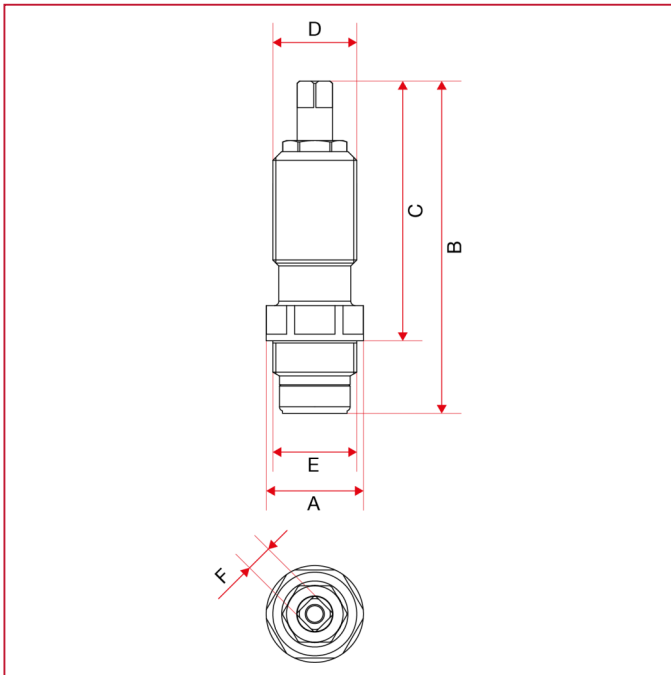
TECHNICAL SPECIFICATIONS

Thread: 19x19Fx1".

Length A: 59 mm.

Suitable for art. 340.

OVERALL DIMENSIONS

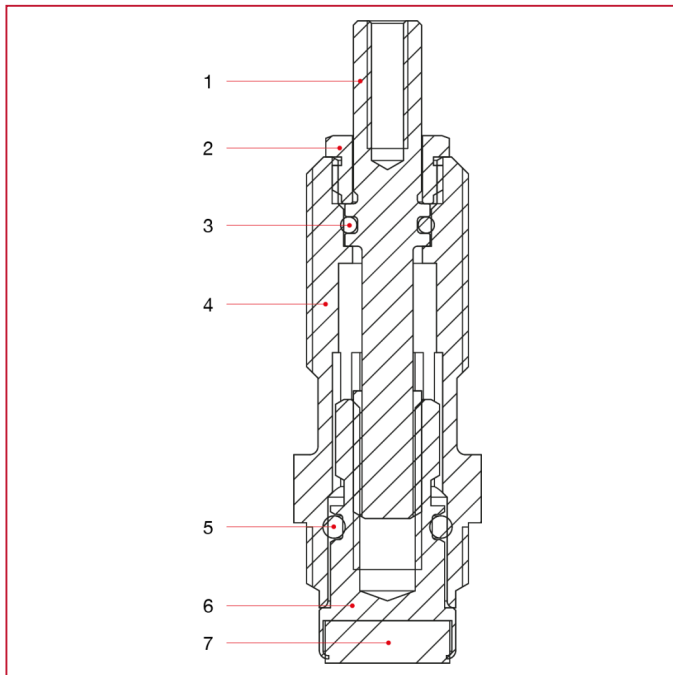


A	22
B	75,5
C	59
D	W19x19F x1
E	W19x19F x1
F	6



BUILD-IN VALVES AND SUPPLY STOPS

MATERIALS



POS.	DESCRIPTION	N.	MATERIAL
1	Stem	1	Brass CW614N
2	Stem stop	1	Brass CW614N
3	O-ring	1	NBR
4	Body	1	Brass CW614N
5	O-ring	1	NBR
6	Screw	1	Brass CW614N
7	Cap	1	NBR



BUILD-IN VALVES AND SUPPLY STOPS

345 Build-in valve with handle



SIZE	PRESSURE	CODE	PACKING
1/2" (DN 15)	20bar/290psi	3450012	4/24
3/4" (DN 20)	15bar/217.5psi	3450034	4/24

CERTIFICATIONS



TECHNICAL SPECIFICATIONS

Female/female threads.

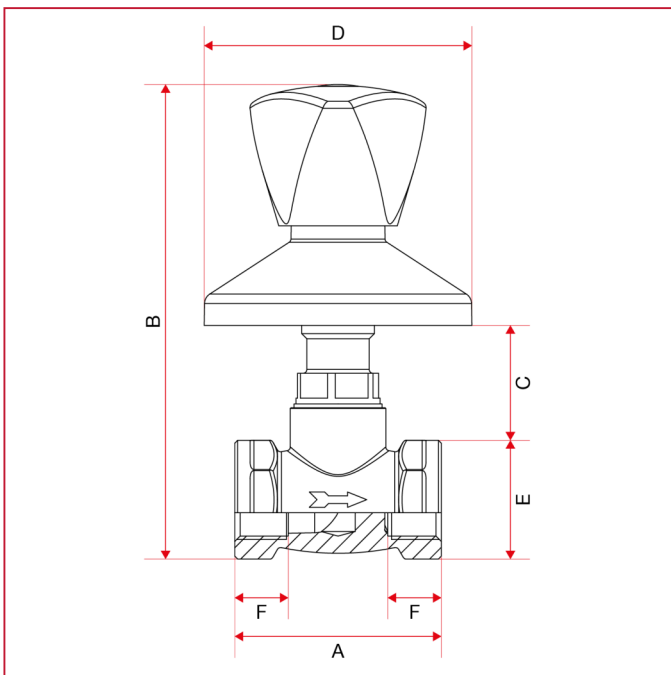
Body in brass.

Cover plate and handle in chrome-plated ABS.

Minimum and maximum working temperatures: 0°C, 110°C in absence of steam.

Threads: ISO 228 (equivalent to DIN EN ISO 228 and BS EN ISO 228).

OVERALL DIMENSIONS

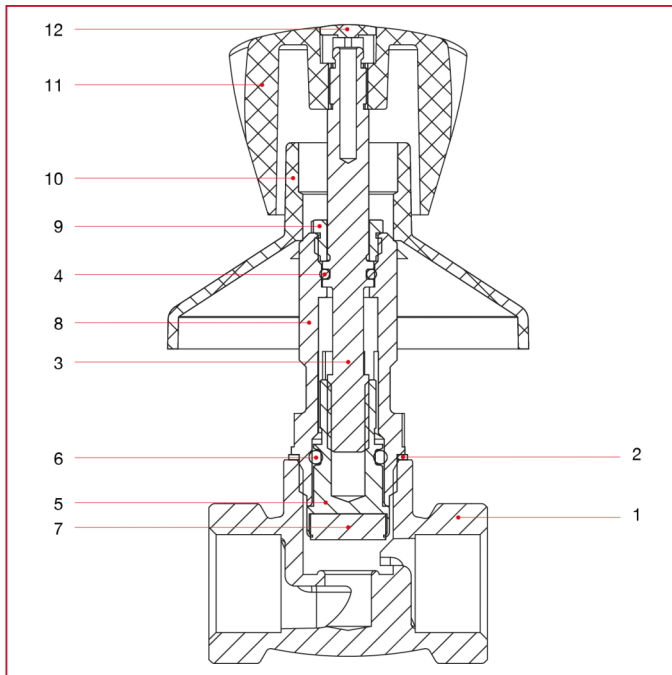




BUILD-IN VALVES AND SUPPLY STOPS

	1/2"	3/4"
DN	15	20
A	54	59,5
B	124	127,5
C	30	30
D	70	70
E	31	35,5
F	14	14
Kg/cm ² bar	20	15
LBS - psi	290	217,5

MATERIALS



POS.	DESCRIPTION	N.	MATERIAL
1	Build-in valve' body	1	Brass CW617N
2	Washer	1	Aluminium
3	Stem	1	Brass CW614N
4	O-ring	1	NBR
5	Screw	1	Brass CW614N
6	O-ring	1	NBR
7	Cap	1	NBR
8	Bonnet body	1	Brass CW614N
9	Nut	1	Brass CW614N
10	Cover-plate	1	Chrome-plated ABS
11	Handle	1	Chrome-plated ABS
12	Clip	1	Chrome-plated ABS



BUILD-IN VALVES AND SUPPLY STOPS

136 Build-in valve with blind cap



SIZE	PRESSURE	CODE	PACKING
1/2" (DN 15)	30bar/435psi	1360012	8/48
3/4" (DN 20)	25bar/362.5psi	1360034	5/30

CERTIFICATIONS



TECHNICAL SPECIFICATIONS

Full flow.

Female/female threads.

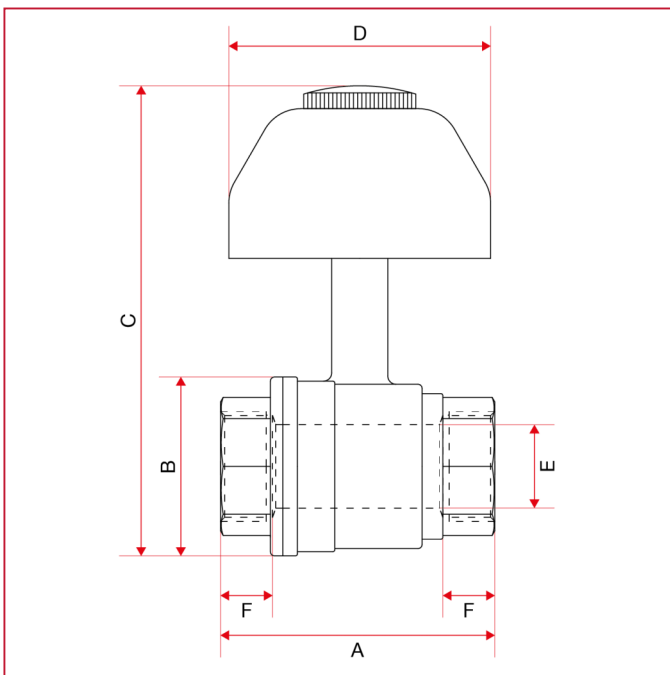
Body in brass.

Cover plate and cap in chrome-plated brass.

Minimum and maximum working temperatures: 0°C, 110°C in absence of steam.

Threads: ISO 228 (equivalent to DIN EN ISO 228 and BS EN ISO 228).

OVERALL DIMENSIONS

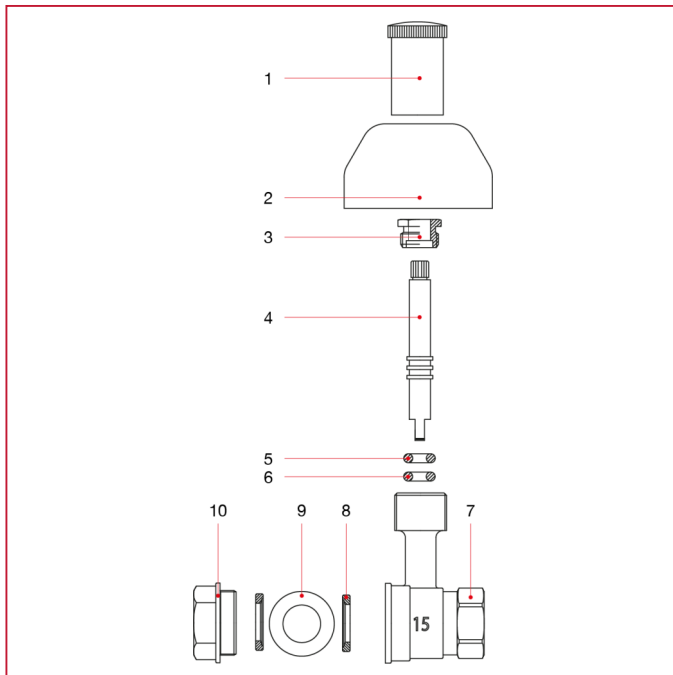




BUILD-IN VALVES AND SUPPLY STOPS

	1/2"	3/4"
DN	15	20
A	56	67
B	34	43
C	109	118
D	63	63
E	15	20
F	12	14
Kg/cm ² bar	30	25
LBS - psi	435	362,5

MATERIALS



POS.	DESCRIPTION	N.	MATERIAL
1	Cap	1	Chrome-plated brass
2	Cover-plate	1	Chrome-plated brass
3	Packing gland	1	Brass CW614N
4	Stem	1	Brass CW614N
5	O-ring	1	NBR
6	O-ring	1	NBR
7	Body	1	Brass CW617N
8	Seat	2	P.T.F.E.
9	Ball	1	Chrome-plated brass CW617N
10	End adapter	1	Brass CW617N



BUILD-IN VALVES AND SUPPLY STOPS

138 Build-in valve with handle



SIZE	PRESSURE	CODE	PACKING
1/2" (DN 15)	30bar/435psi	1380012	8/48
3/4" (DN 20)	25bar/362.5psi	1380034	5/30
1" (DN 25)	25bar/362.5psi	1380100	4/24

CERTIFICATIONS



TECHNICAL SPECIFICATIONS

Full flow.

Female/female threads.

Body in brass.

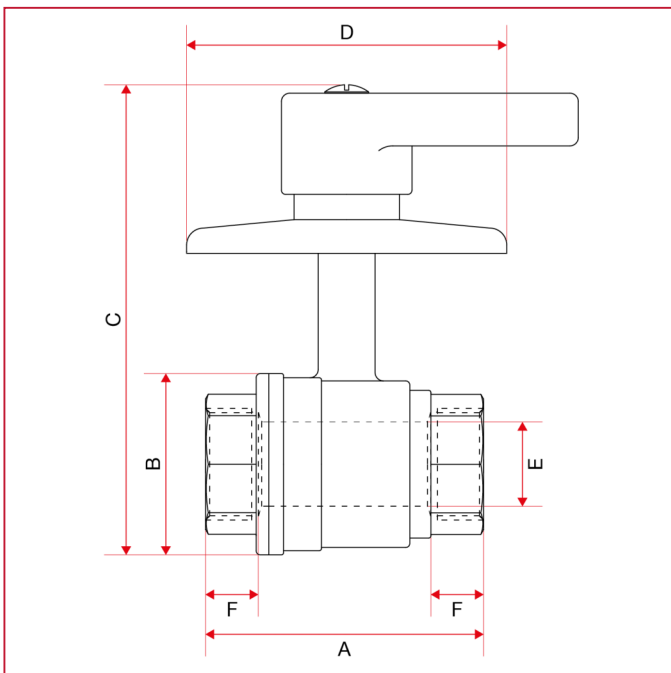
Cover plate in stainless steel.

Lever handle in chrome-plated brass.

Minimum and maximum working temperatures: 0°C, 110°C in absence of steam.

Threads: ISO 228 (equivalent to DIN EN ISO 228 and BS EN ISO 228).

OVERALL DIMENSIONS

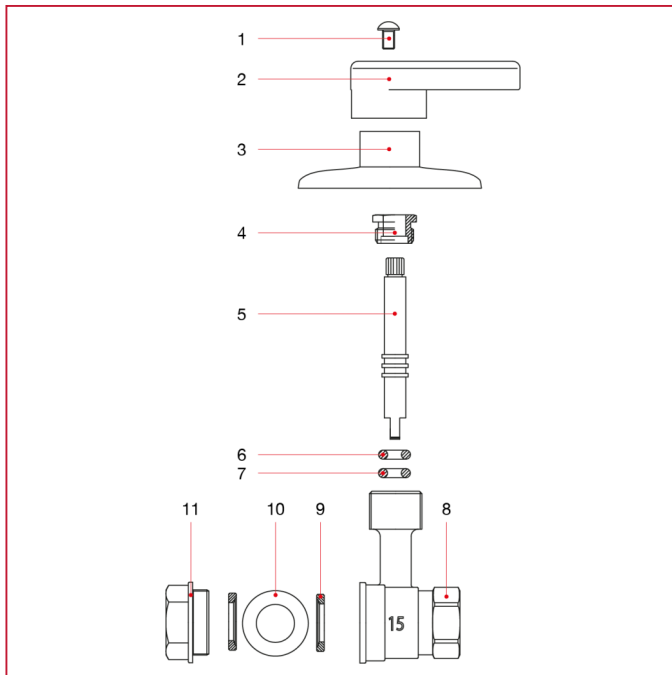




BUILD-IN VALVES AND SUPPLY STOPS

	1/2"	3/4"	1"
DN	15	20	25
A	58	70	82
B	34	43	52
C	100	111	116
D	100	100	100
E	15	20	25
F	14	15	18
Kg/cm ² bar	30	25	25
LBS - psi	435	362,5	362,5

MATERIALS



POS.	DESCRIPTION	N.	MATERIAL
1	Screw	1	Zinc-plated steel Fe CB4
2	Handle	1	Chrome-plated brass CW617N
3	Cover-plate	1	Stainless steel AISI 430BA
4	Packing gland	1	Brass CW614N
5	Stem	1	Brass CW614N
6	O-ring	1	NBR
7	O-ring	1	NBR
8	Body	1	Brass CW617N
9	Seat	2	P.T.F.E.
10	Ball	1	Chrome-plated brass CW617N
11	End adapter	1	Brass CW617N



BUILD-IN VALVES AND SUPPLY STOPS

PROL136 Spacer



CODE	PACKING
PROL136	1/150

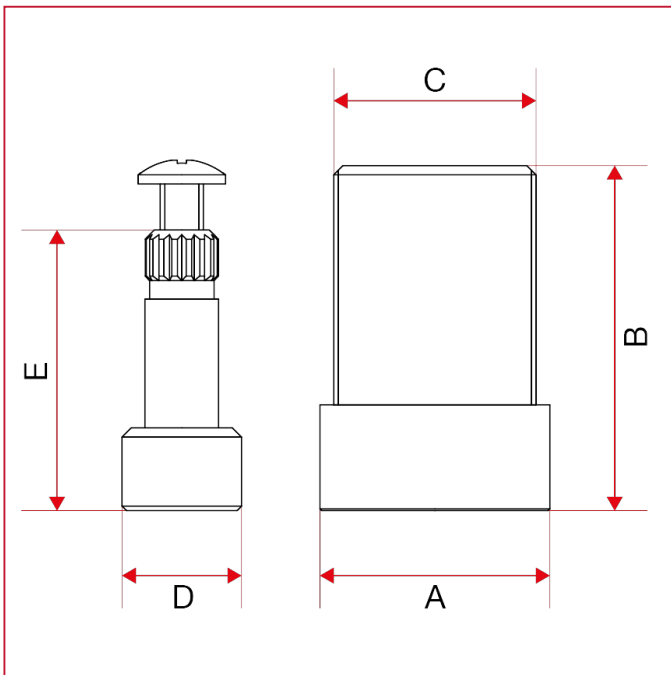
TECHNICAL SPECIFICATIONS

Thread: 22x19Fx1".

Length A: 37,5 mm.

Suitable for art. 136 and 138 - 1/2" and 3/4".

OVERALL DIMENSIONS

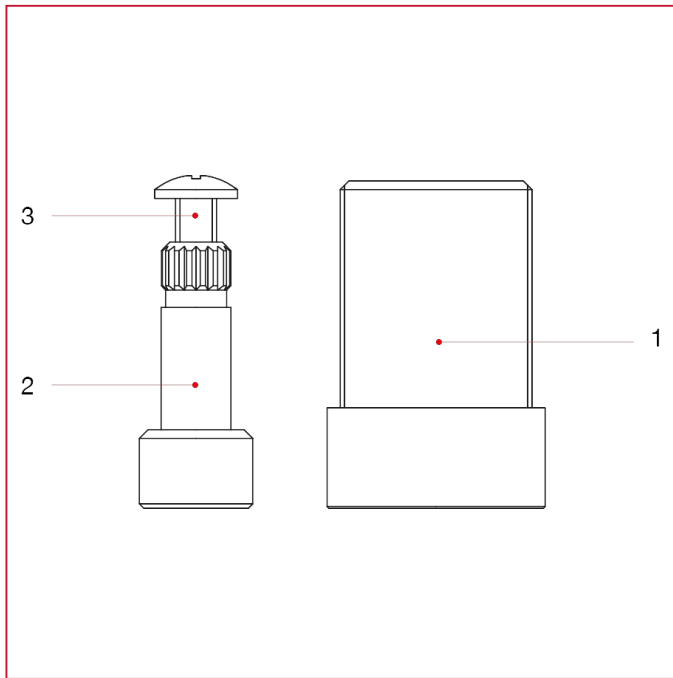


A	25
B	37,5
C	W22x19F x1
D	13
E	30,5



BUILD-IN VALVES AND SUPPLY STOPS

MATERIALS



POS.	DESCRIPTION	N.	MATERIAL
1	Body	1	Brass CW614N
2	Extension for stem	1	Brass CW614N
3	Screw	1	Zinc-plated steel



BUILD-IN VALVES AND SUPPLY STOPS

346 Supply stop



SIZE	PRESSURE	CODE	PACKING
1/2" (DN 15)	8bar/116psi	3460012	10/140

CERTIFICATIONS



TECHNICAL SPECIFICATIONS

Available size 1/2"x1/2".

Male thread.

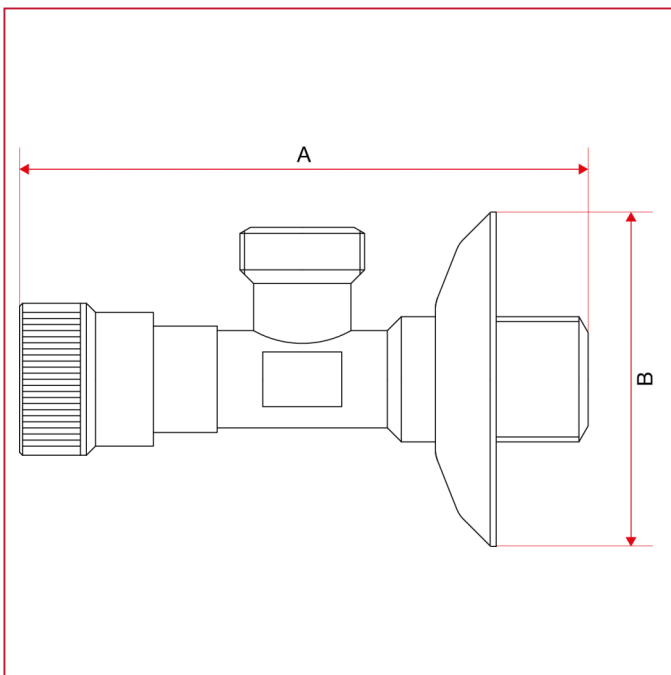
Body in chrome-plated brass.

Cover plate in stainless steel.

Minimum and maximum working temperatures: 0°C, 80°C.

Threads: ISO 228 (equivalent to DIN EN ISO 228 and BS EN ISO 228).

OVERALL DIMENSIONS

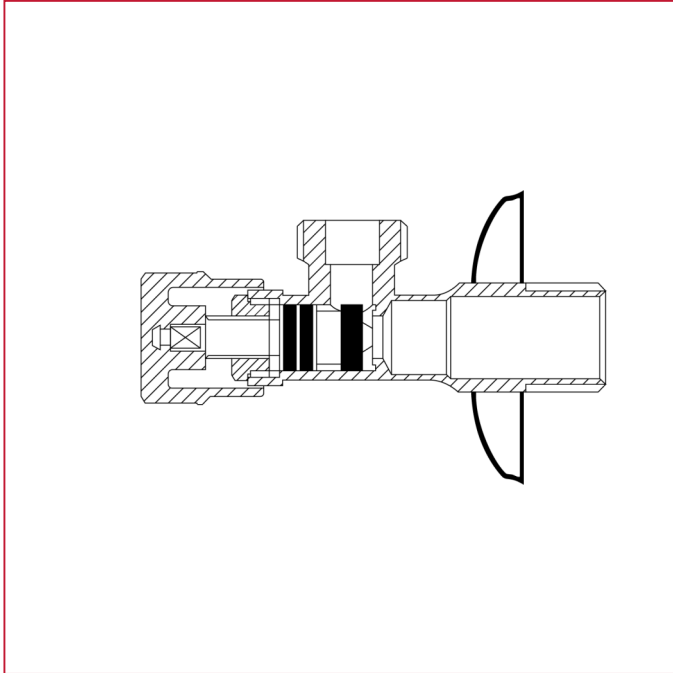




BUILD-IN VALVES AND SUPPLY STOPS

	1/2"
A	90
B	55
Kg/cm ² bar	8
LBS - psi	116

MATERIALS



POS.	DESCRIPTION	N.	MATERIAL
1	Body	-	Chrome-plated brass CW617N
2	Washers	-	NBR
3	Ring	-	P.T.F.E.
4	Handle	-	Chrome-plated ABS
5	Cover plate	-	Stainless steel AISI 430



BUILD-IN VALVES AND SUPPLY STOPS

348 Supply stop with nut and washer



SIZE	PRESSURE	CODE	PACKING
1/2" (DN 15)	8bar/116psi	3480012	10/140

CERTIFICATIONS



TECHNICAL SPECIFICATIONS

Available size 1/2"x mm.10.

Male thread.

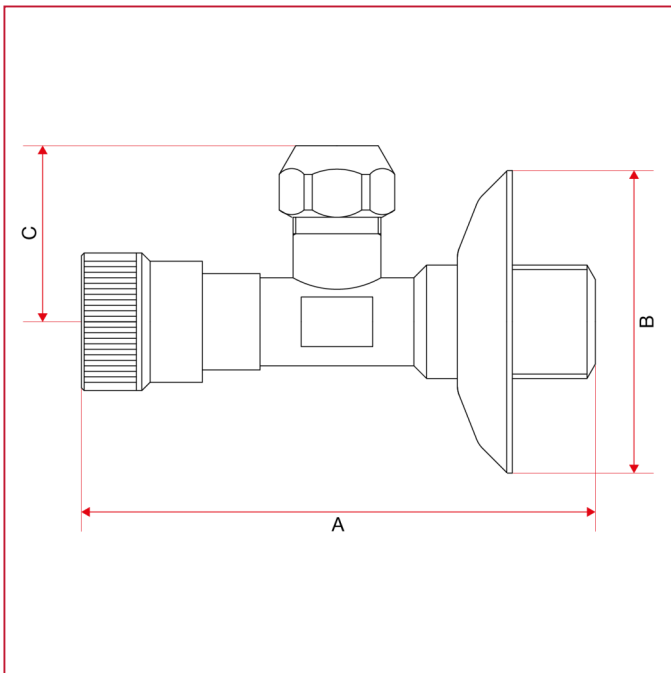
Body in chrome-plated brass.

Cover plate in stainless steel.

Minimum and maximum working temperatures: 0°C, 80°C.

Threads: ISO 228 (equivalent to DIN EN ISO 228 and BS EN ISO 228).

OVERALL DIMENSIONS

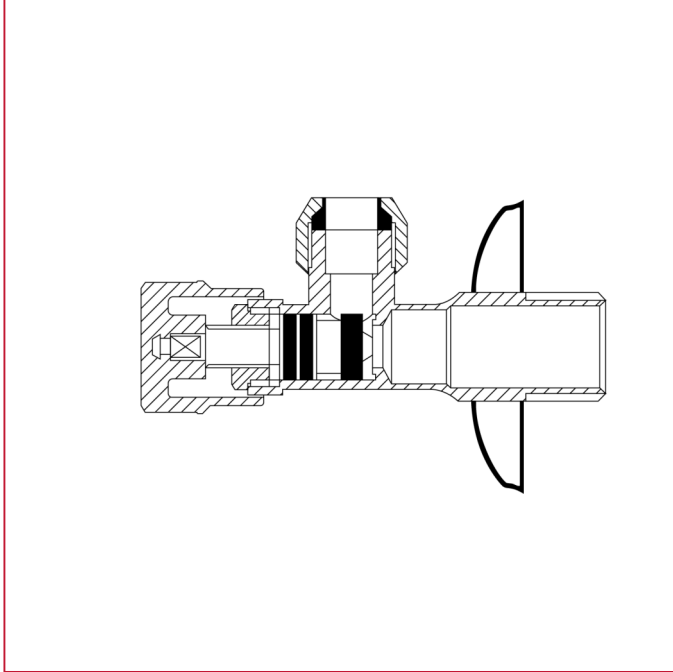




BUILD-IN VALVES AND SUPPLY STOPS

	1/2"
A	90
B	55
C	31
Kg/cm ² bar	8
LBS - psi	116

MATERIALS



POS.	DESCRIPTION	N.	MATERIAL
1	Body	-	Chrome-plated brass CW617N
2	Washers	-	NBR
3	Ring	-	P.T.F.E.
4	Handle	-	Zama
5	Cover plate	-	Stainless steel AISI 430



BUILD-IN VALVES AND SUPPLY STOPS

348SD Supply stop without nut



SIZE	PRESSURE	CODE	PACKING
1/2" (DN 15)	8bar/116psi	3480012SD	10/140

CERTIFICATIONS



TECHNICAL SPECIFICATIONS

Available size 1/2"x 3/8".

Male thread.

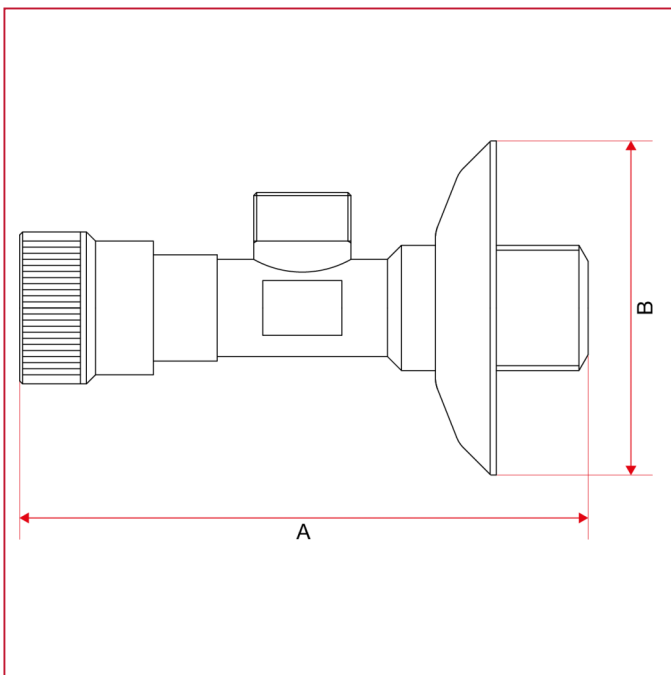
Body in chrome-plated brass.

Cover plate in stainless steel.

Minimum and maximum working temperatures: 0°C, 80°C.

Threads: ISO 228 (equivalent to DIN EN ISO 228 and BS EN ISO 228).

OVERALL DIMENSIONS

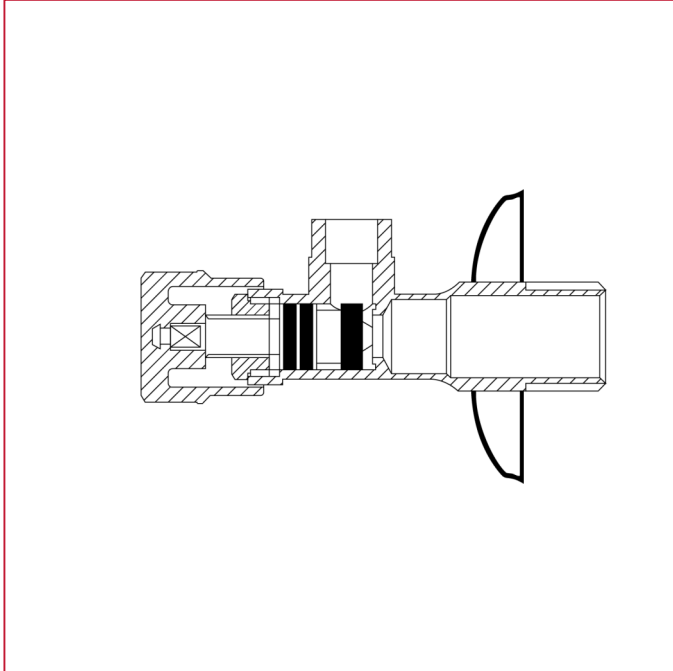




BUILD-IN VALVES AND SUPPLY STOPS

	1/2"
A	90
B	55
LBS - psi	116

MATERIALS



POS.	DESCRIPTION	N.	MATERIAL
1	Body	-	Chrome-plated brass CW617N
2	Washers	-	NBR
3	Ring	-	P.T.F.E.
4	Handle	-	Zama
5	Cover plate	-	Stainless steel AISI 430



BUILD-IN VALVES AND SUPPLY STOPS

385 Ball supply stop with strainer



SIZE	PRESSURE	CODE	PACKING
1/2" (DN 15)	8bar/116psi	3850012	10/110

CERTIFICATIONS



TECHNICAL SPECIFICATIONS

Available size 1/2"x mm.10.

Male thread.

Body in chrome-plated brass.

Metal handle.

Cover plate in stainless steel.

Built-in strainer in stainless steel.

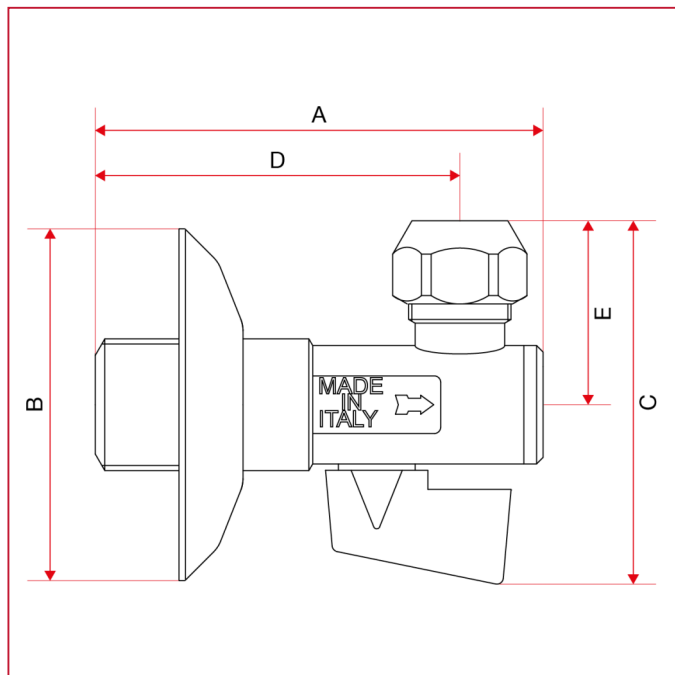
Minimum and maximum working temperatures: 0°C, 80°C.

Threads: ISO 228 (equivalent to DIN EN ISO 228 and BS EN ISO 228).



BUILD-IN VALVES AND SUPPLY STOPS

OVERALL DIMENSIONS

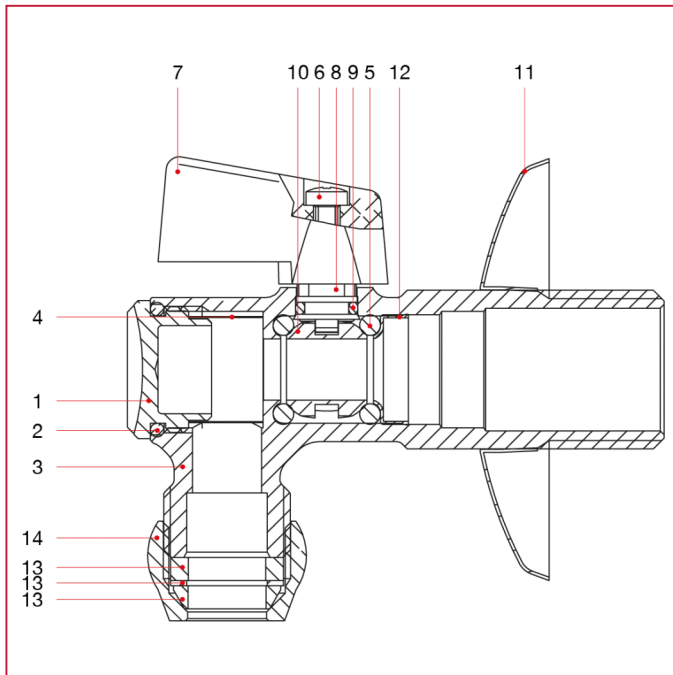


	1/2"
A	70
B	55
C	60,5
D	57
E	32,8
Kg/cm2 bar	8
LBS - psi	116



BUILD-IN VALVES AND SUPPLY STOPS

MATERIALS



POS.	DESCRIPTION	N.	MATERIAL
1	Cap	1	Chrome-plated brass CW617N
2	O-ring	1	NBR
3	Body	1	Chrome-plated brass CW617N
4	Strainer	1	Stainless steel AISI 304
5	O-ring	2	NBR
6	Screw	1	Zinc-plated steel
7	Lever handle	1	Zama
8	Stem	1	Brass CW617N
9	O-ring	1	NBR
10	Ball	1	Chrome-plated brass CW617N
11	Cover-plate	1	Stainless steel AISI 430
12	Pressure ring	1	Brass CW508L
13	Olive	1	-
14	Nut	1	Chrome-plated brass CW617N



BUILD-IN VALVES AND SUPPLY STOPS

386 Ball supply stop with articulated connection



SIZE	PRESSURE	CODE	PACKING
1/2" (DN 15)	8bar/116psi	3860012	10/110

CERTIFICATIONS



TECHNICAL SPECIFICATIONS

Available size 1/2"x mm.10.

Male thread.

Body in chrome-plated brass.

Metal handle.

Cover plate in stainless steel.

Built-in strainer in stainless steel.

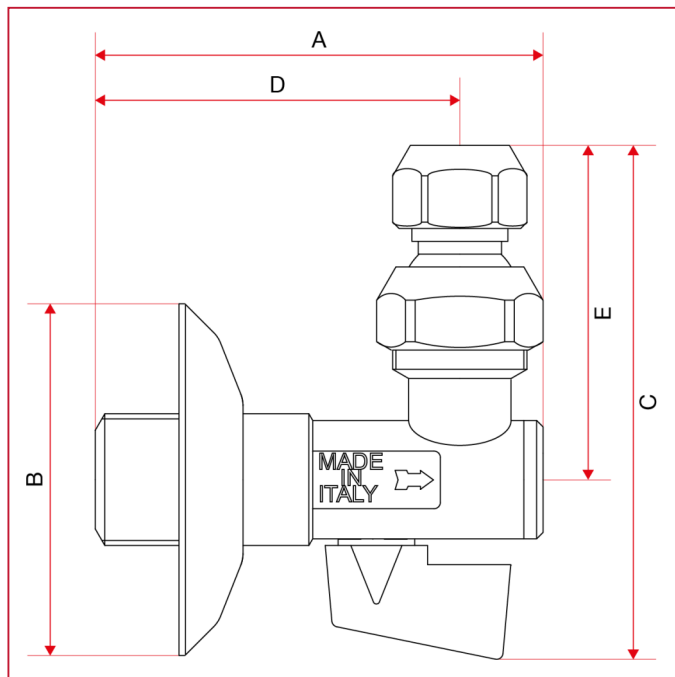
Minimum and maximum working temperatures: 0°C, 80°C.

Threads: ISO 228 (equivalent to DIN EN ISO 228 and BS EN ISO 228).



BUILD-IN VALVES AND SUPPLY STOPS

OVERALL DIMENSIONS

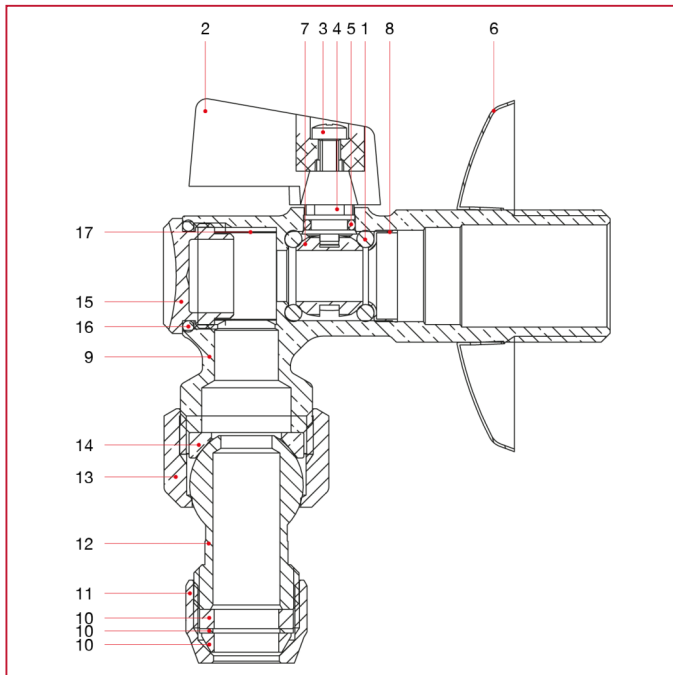


	1/2"
A	70
B	55
C	88,3
D	57
E	60,6
Kg/cm ² bar	8
LBS - psi	116



BUILD-IN VALVES AND SUPPLY STOPS

MATERIALS



POS.	DESCRIPTION	N.	MATERIAL
1	O-ring	2	NBR
2	Lever handle	1	Zama
3	Screw	1	Zinc-plated steel
4	Stem	1	Brass CW617N
5	O-ring	1	NBR
6	Cover plate	1	Stainless steel AISI 430
7	Ball	1	Chrome-plated brass CW617N
8	Pressure ring	1	Brass CW617N
9	Body	1	Chrome-plated brass CW617N
10	3-pieces ogive	1	-
11	Nut	1	Chrome-plated brass CW617N
12	Junction	1	Chrome-plated brass CW617N
13	Nut	1	Chrome-plated brass CW617N
14	O-ring	1	NBR
15	Cap	1	Chrome-plated brass CW617N
16	O-ring	1	NBR
17	Strainer	1	Stainless steel AISI 304



BUILD-IN VALVES AND SUPPLY STOPS

387 Supply stop and washing machine valve



SIZE	PRESSURE	CODE	PACKING
1/2" (DN 15)	8bar/116psi	3870012	1/38

CERTIFICATIONS



TECHNICAL SPECIFICATIONS

Male thread.

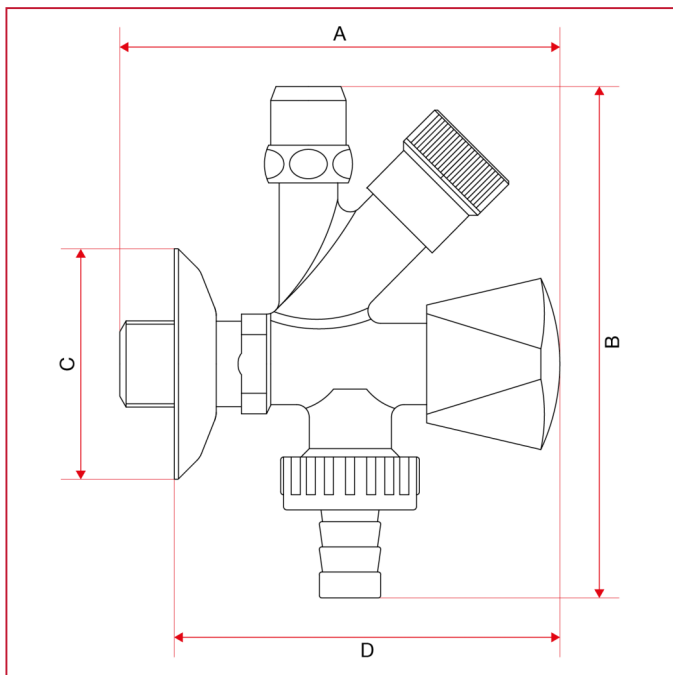
Body in chrome-plated brass.

Cover plate in stainless steel.

Minimum and maximum working temperature: 0°C, 80°C.

Threads: ISO 228 (equivalent to DIN EN ISO 228 and BS EN ISO 228).

OVERALL DIMENSIONS

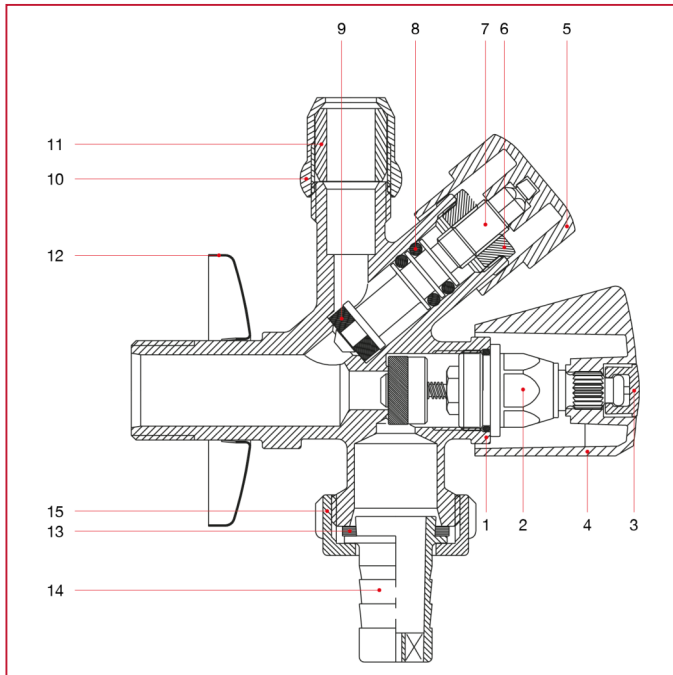




BUILD-IN VALVES AND SUPPLY STOPS

	1/2"
A	105
B	116
C	56
D	87
Kg/cm ² bar	8
LBS - psi	116

MATERIALS



POS.	DESCRIPTION	N.	MATERIAL
1	Body	1	Chrome-plated brass CW617N
2	Bonnet	1	Brass CW614N
3	Cap	1	POM
4	Handle	1	Chrome-plated ABS
5	Handle	1	Chrome-plated ABS
6	Nut	1	Brass CW614N
7	Stem	1	Brass CW614N
8	O-ring	2	NBR
9	Washer	1	NBR
10	Nut	1	Chrome-plated brass CW614N
11	Olive	1	Nylon
12	Cover-plate	1	Stainless steel
13	Washer	1	NBR
14	Hose connection	1	Nylon
15	Nut	1	Nylon



BUILD-IN VALVES AND SUPPLY STOPS

906 Ball supply stop with strainer



SIZE	PRESSURE	CODE	PACKING
1/2" (DN 15)	8bar/116psi	9060012	10/90

CERTIFICATIONS



TECHNICAL SPECIFICATIONS

Available size 1/2"x mm.10.

Male thread.

Body in chrome-plated brass.

Metal handle.

Cover plate in stainless steel.

Built-in strainer in stainless steel.

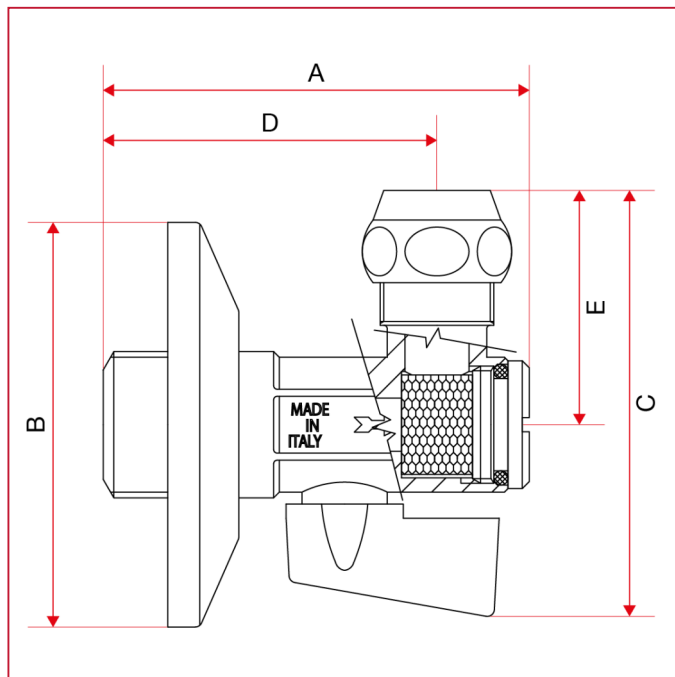
Minimum and maximum working temperatures: 0°C, 80°C.

Threads: ISO 228 (equivalent to DIN EN ISO 228 and BS EN ISO 228).



BUILD-IN VALVES AND SUPPLY STOPS

OVERALL DIMENSIONS

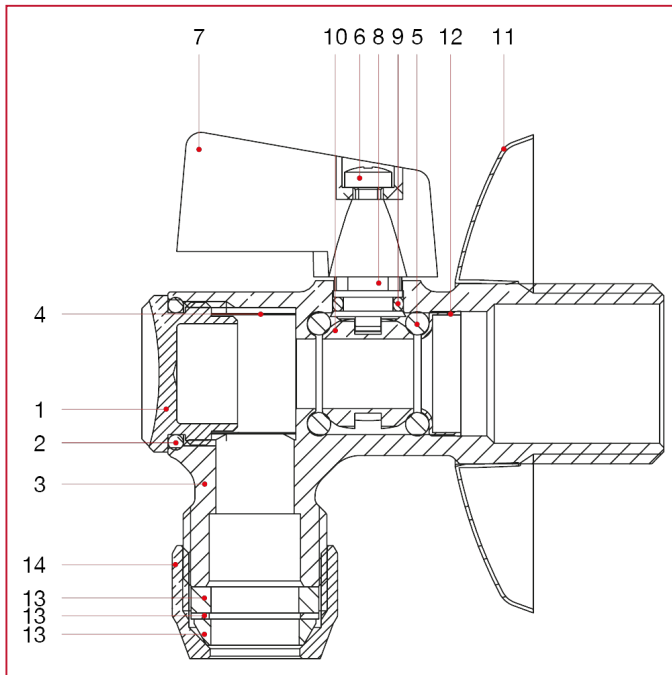


	1/2"
A	60
B	55
C	60,5
D	47
E	32,8
Kg/cm ² bar	8
LBS - psi	116



BUILD-IN VALVES AND SUPPLY STOPS

MATERIALS



POS.	DESCRIPTION	N.	MATERIAL
1	Cap	1	Chrome-plated brass CW617N
2	O-ring	1	NBR
3	Body	1	Chrome-plated brass CW617N
4	Strainer	1	Stainless steel AISI 304
5	O-ring	2	NBR
6	Screw	1	Zinc-plated steel
7	Handle	1	Zama
8	Stem	1	Brass CW617N
9	O-ring	1	NBR
10	Ball	1	Chrome-plated brass CW617N
11	Cover-plate	1	Stainless steel AISI 430
12	Pressure ring	1	Brass CW508L
13	Olive	1	-
14	Nut	1	Chrome-plated brass CW617N



BUILD-IN VALVES AND SUPPLY STOPS

906SD Ball supply stop with strainer without nut



SIZE	PRESSURE	CODE	PACKING
1/2" (DN 15)	8bar/116psi	9060012SD	10/90

CERTIFICATIONS



TECHNICAL SPECIFICATIONS

Available size 1/2"x 3/8".

Male thread.

Body in chrome-plated brass.

Metal handle.

Cover plate in stainless steel.

Built-in strainer in stainless steel.

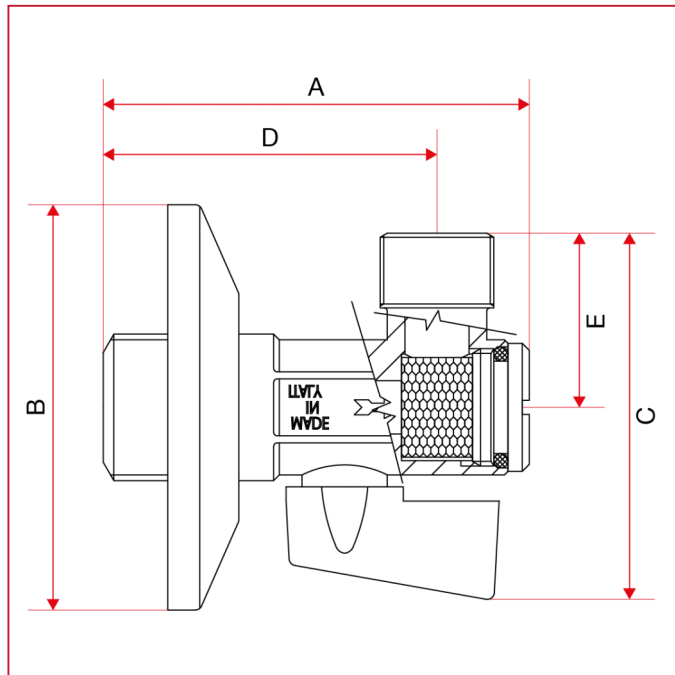
Minimum and maximum working temperatures: 0°C, 80°C.

Threads: ISO 228 (equivalent to DIN EN ISO 228 and BS EN ISO 228).



BUILD-IN VALVES AND SUPPLY STOPS

OVERALL DIMENSIONS

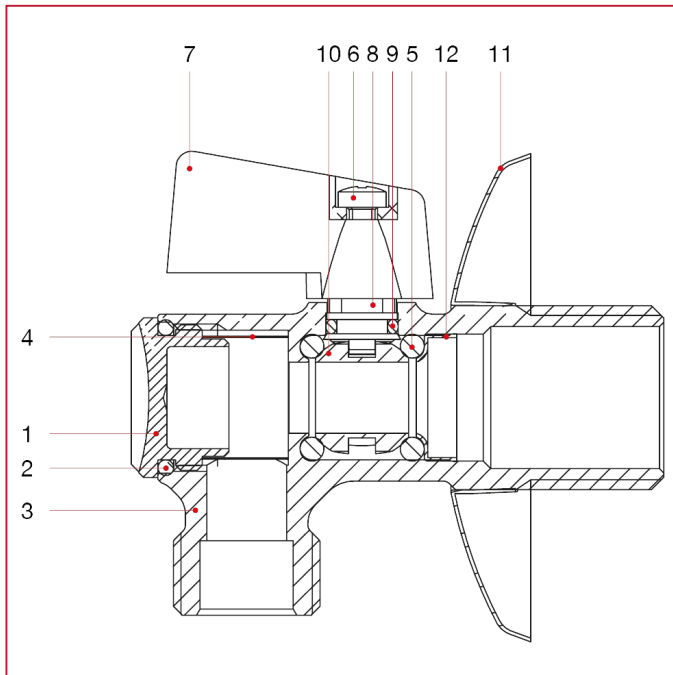


	1/2"
A	60
B	55
C	60,5
D	47
E	32,8
LBS - psi	116



BUILD-IN VALVES AND SUPPLY STOPS

MATERIALS



POS.	DESCRIPTION	N.	MATERIAL
1	Cap	1	Chrome-plated brass CW617N
2	O-ring	1	NBR
3	Body	1	Chrome-plated brass CW617N
4	Strainer	1	Stainless steel AISI 304
5	O-ring	2	NBR
6	Screw	1	Zinc-plated steel
7	Handle	1	Zama
8	Stem	1	Brass CW617N
9	O-ring	1	NBR
10	Ball	1	Chrome-plated brass CW617N
11	Cover-plate	1	Stainless steel AISI 430



BUILD-IN VALVES AND SUPPLY STOPS

375 Toilet tank valve



SIZE	PRESSURE	CODE	PACKING
3/8" (DN 10)	16bar/232psi	3750038	12/108

CERTIFICATIONS



TECHNICAL SPECIFICATIONS

Male/female threads.

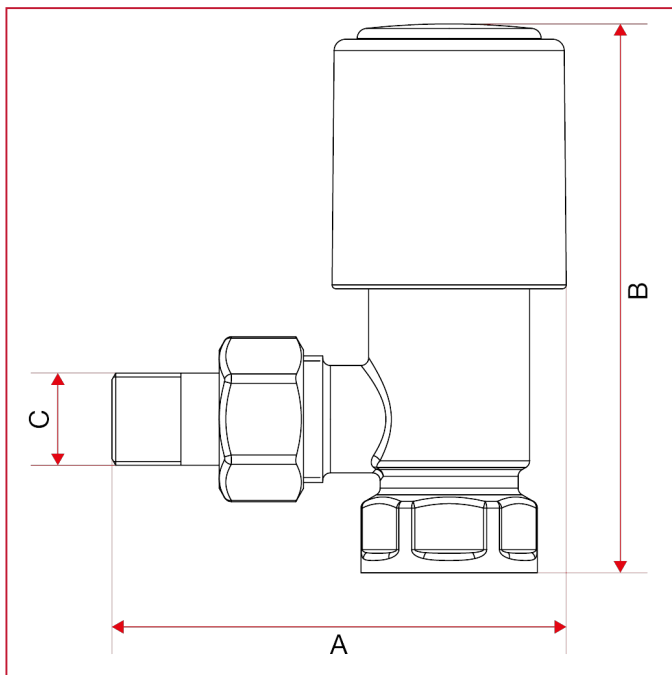
Body in nickel-plated brass.

Minimum and maximum working temperatures: 0°C, 80°C.

Female thread ISO 228 (equivalent to DIN EN ISO 228 and BS EN ISO 228).

Male thread W12x19.

OVERALL DIMENSIONS

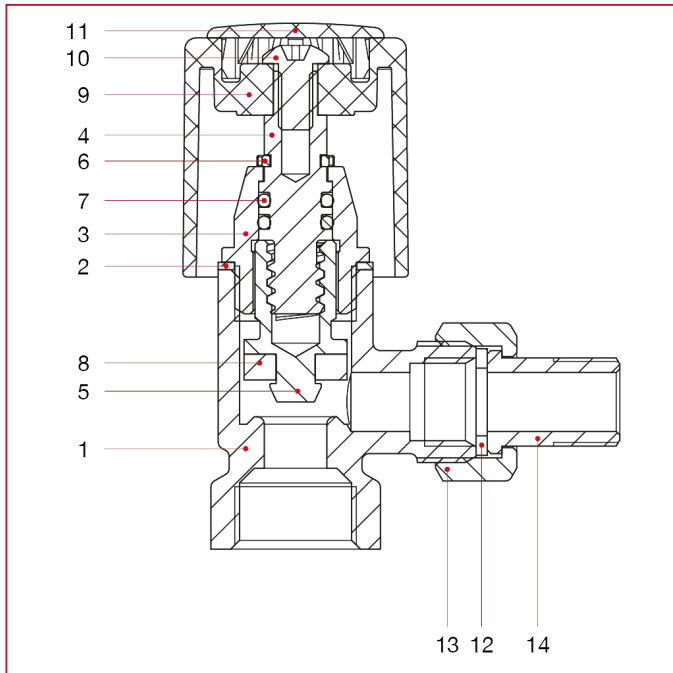




BUILD-IN VALVES AND SUPPLY STOPS

	3/8"
DN	10
A	59,3
B	71,5
C	W12x19
Kg/cm ² bar	16
LBS - psi	232

MATERIALS



POS.	DESCRIPTION	N.	MATERIAL
1	Body	1	Nickel-plated brass CW617N
2	Washer	1	Aluminium
3	Cap	1	Brass CW614N
4	Pin	1	Brass CW614N
5	Screw	1	Brass CW614N
6	Seeger	1	Copper
7	O-ring	2	NBR
8	Washer	1	NBR
9	Handle	1	Chrome-plated ABS
10	Screw	1	Zinc-plated steel C4C
11	Clip	1	Varnished ABS
12	Flat washer	1	Red fiber (Sinterite)
13	Nut	1	Nickel-plated brass CW614N
14	Shank	1	Nickel-plated brass CW614N



BUILD-IN VALVES AND SUPPLY STOPS

285 Stainless steel rosette

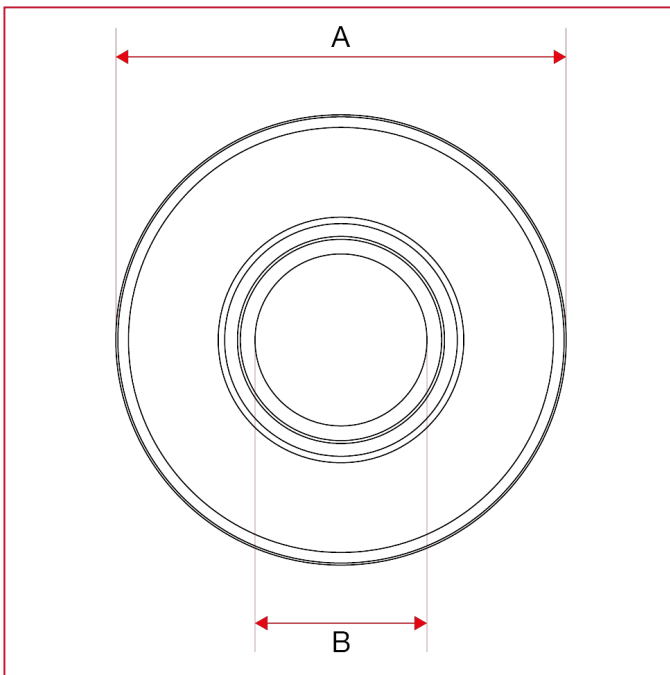


SIZE	CODE	PACKING
1/2" (DN 15)	2850012	100/1500

CERTIFICATIONS



OVERALL DIMENSIONS

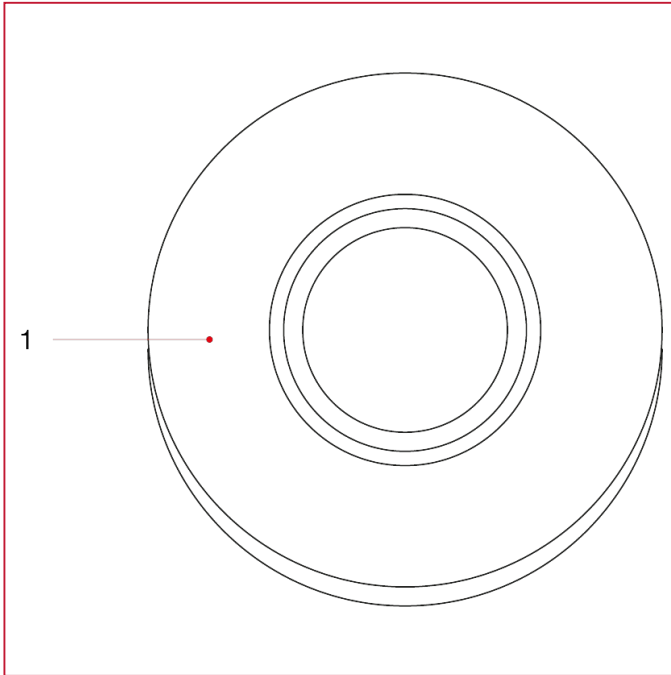


	1/2"
DN	15
A	55
B	21,1



BUILD-IN VALVES AND SUPPLY STOPS

MATERIALS



POS.	DESCRIPTION	N.	MATERIAL
1	Cover-plate	1	Stainless steel AISI 430



ITAP S.p.A.
Via Ruca 19
25065 Lumezzane
Brescia (ITALY)
Tel 030 8927011
Fax 030 8921990
www.itap.it - info@itap.it

We reserve the right to make improvements and changes to the products described herein and to the relative technical data, at any time and without forewarning.

rev. 20220330