

HL83.0

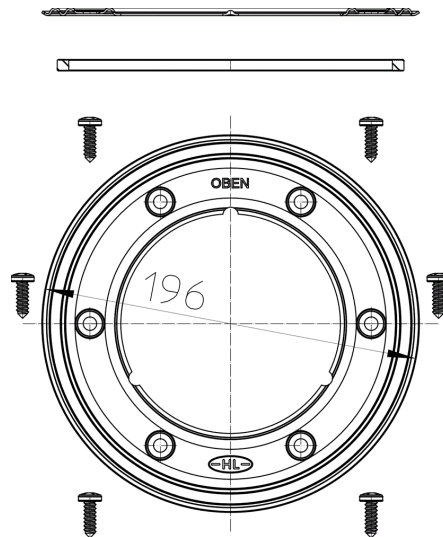
waterproofing kit



waterproofing kit consisting of stainless steel clamping ring 200 x 115 mm with screws and gasket



Techn. drawing



TECHNICAL DATA

material	Edelstahl	installation height
dimension	196 x 114 mm	grate frame
capacity		grate
weight	0,245	load class

EAN

9003076718306

inlet

standards

MAIN DATA

spare parts



HL01023D

lip seal 180x6mm



HL083.1E

screws 6,3x16mm (6 Stk.)



HL083.2E

stainless steel flange 200x115mm

attachment



HL083.3E

EPDM-collar 400x400mm



HL083.4E

Laminated fleece



HL083.6E

lead collar 500x500mm

PACKAGING DATA

PE-bag

unit	1 [pcs.]
weight	0,248 [kg]
EAN/pack.	9003076718306
height/width/depth	15/200/200 [mm]
volume	0,001218 [m ³]

carton

unit	10 [pcs.]
weight	2,667 [kg]
EAN/pack.	
height/width/depth	155/225/295 [mm]
volume	0,006402 [m ³]

DOWNLOADS

Foto Print	HL83x0_pr.tif	max.
Foto Web	HL83x0_B.jpg	640x480/300dpi

Foto Parts List

HL83x0_gr.jpg

150x150/72dpi

Techn. drawing

HL83_0_b.pdf

pdf