

HL310NPr

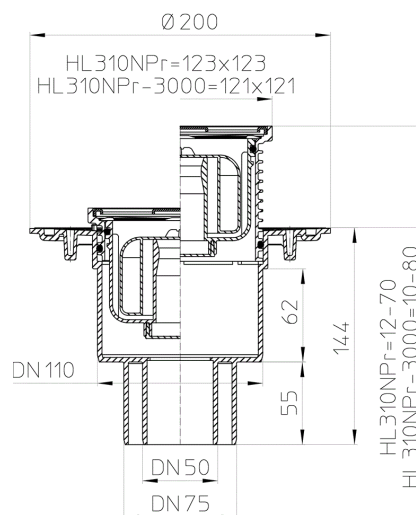
floor drain DN50/75/110 vertical with trap seal PRIMUS, 123x123mm/115x115mm



floor drain DN50/75/110 vertical with flange, trap seal PRIMUS, cut-to-size grate frame 12 - 70 mm / 123 x 123 mm and stainless steel grate 115 x 115 mm. Comes with lot cover.



Techn. drawing



TECHNICAL DATA

material	PP,PE,Edelstahl	installation height	158mm
dimension	DN50/75/110	grate frame	12-70mm/123x123mm
capacity	0,5 l/s	grate	Edelstahl 115x115mm
weight	0,75	load class	K3 - 300kg

MAIN DATA**spare parts****HL037Pr.1E**

Stainless steel grate 115x115mm

**HL310NK**

floor drain body DN50/75/110 vertical

**HL37NPr**

grating d 110mm/123x123mm/115x115mm with trap seal PRIMUS. Comes with lot cover

**HL037N.2E**

grate frame d 110mm/90mm/123x123mm incl. O-ring

**HL01067D**

O-ring 92x4mm

**HL037N.OE**

supporting frame/cover 123x123mm

**HL037Pr.1E**

Stainless steel grate 115x115mm

**HL2000**

trap seal PRIMUS

**HL01067D**

O-ring 92x4mm

attachment**HL0510.7E**

trap seal cartridge

**HL3000**

grating d 110mm/stainless steel frame 121x121mm/115x115mm. System "KLICK-KLACK". Comes with supporting frame/cover.

**HL0510.7EKK**

trap seal cartridge

**HL2000KK**

trap seal PRIMUS

**HL619**

fixing brackets

**HL3110**

stainless steel grate (316) 115x115mm

**HL3127**

Stainless steel grate (V4A) 115x115mm 'Primus Design'

**HL3210**

Extension d 110/100mm, stainless steel frame (V4A) 121x121mm, incl. O-Ring. System "Klick-Klack".



HL619
fixing brackets



HL840
fire collar R90 for HL310N series



HL845
formwork-core with center-ring for HL840

Alternatives



HL310N
floor drain DN50/75/110 vertical 123x123mm/115x115mm



HL310NPrG
floor drain DN50/75/110 vertical with trap seal PRIMUS,150x150mm/137x137mm cast iron



HL310NPrR
floor drain DN50/75/110 vertical with trap seal PRIMUS, round d 133mm/d 112mm

extensions



HL340N
extension 80mm/d 110mm incl. O-ring



HL85N
extension with flange incl. O-ring



HL85NC
extension d 110mm CeraDrain with polymer concrete collar incl. O-ring



HL85NH
extension incl. O-ring with bitumen membrane

Waterproofing Kits



HL83
waterproofing kit with EPDM collar 400x400mm



HL83.0
waterproofing kit



HL83.H
waterproofing kit with bitumen membrane d 400mm



HL83.M
Sealing kit with laminated fleece



HL83.P
waterproofing kit with flange PVC d 287mm

PACKAGING DATA

carton

unit	1 [pcs.]
weight	0,942 [kg]
EAN/pack.	9003076004676

height/width/depth 155/225/295 [mm]

volume 0,010288125 [m³]

single use pallet

unit 143 [pcs.]

weight 145 [kg]

EAN/pack.

height/width/depth 1950/800/1200 [mm]

volume 1,872 [m³]

DOWNLOADS

Foto Print	HL310NPr_pr.tif	max.
Foto Web	HL310NPr_B.jpg	640x480/300dpi
Foto Parts List	HL310NPr_gr.jpg	150x150/72dpi
Techn. drawing	HL310NPR_b.pdf	pdf
CAD	HL310NPR_2_a.dxf	dxf
example of use	HL310NPr_PZ.pdf	pdf