

# HLO37N.2E

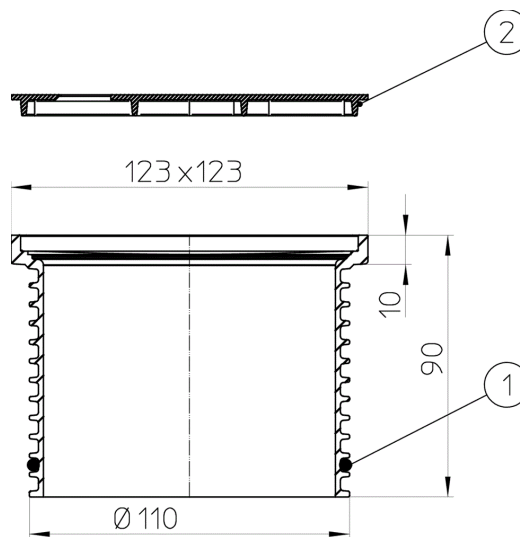
grate frame d 110mm/90mm/123x123mm incl. O-ring



grate frame d 110mm/90mm/123x123mm incl. O-ring,  
frame height 10mm



## Techn. drawing



## TECHNICAL DATA

<b>material</b>	PP	<b>installation height</b>	90mm
<b>dimension</b>	d 110 mm	<b>grate frame</b>	123x123mm
<b>capacity</b>		<b>grate</b>	
<b>weight</b>	0,086	<b>load class</b>	

**MAIN DATA****spare parts****HL01067D**

O-ring 92x4mm

**HL037N.OE**

supporting frame/cover 123x123mm

**attachment****HL037N.1E**

stainless steel grate 115x115mm

**HL0510.7E**

trap seal cartridge

**HL2000**

trap seal PRIMUS

**HL619**

fixing brackets

**used with****HL37FPr**

Extension d 110mm/123x123mm, stainless steel grate 115x115mm, sifon PRIMUS and supporting frame.

**HL90Pr**

Floor drain DN40/50 horizontal with sifon PRIMUS, 123x123mm/115x115mm.

**HL90PrD**

Floor drain horizontal with "Primus" trap and fleece laminated flange.

**HL37N**

grating d 110mm/123x123mm/115x115mm. Comes with lot cover

**HL300**

floor drain DN50 horizontal with inlet DN40/50, 123x123mm/115x115mm

**HL304**

floor drain DN50 horizontal with 3 inlets DN40, 123x123mm/115x115mm

**HL310N.2**

balcony and terrace drain DN50/75/110 vertical with frost-proof flap seal, 123x123mm/115x115mm

**HL80**

balcony and terrace drain DN50/75 ball-joint with frost-proof flap seal, 123x123mm/115x115mm

**HL80.1**

floor drain DN50/75 ball-joint with trap seal, 123x123mm/115x115mm

**HL80.1H**

floor drain DN50/75 ball-joint with bitumen membrane and trap seal, 123x123mm/115x115mm

**HL80H**

balcony and terrace drain DN50/75 ball-joint with bitumen membrane and frost-proof flap seal, 123x123mm/115x115mm

**HL90**

balcony and terrace drain DN40/50 horizontal 123x123mm/115x115mm

**HL90.2**

balcony and terrace drain DN40/50 horizontal with frost-proof flap seal, 123x123mm/115x115mm

**HL37N.1**

grating d 110mm/123x123mm/115x115mm with trap seal. Comes with lot cover

**HL310N**

floor drain DN50/75/110 vertical 123x123mm/115x115mm

**HL510N**

floor drain DN40/50 horizontal 123x123mm/115x115mm

**HL37NPr**

grating d 110mm/123x123mm/115x115mm with trap seal PRIMUS. Comes with lot cover

**HL310NPr**

floor drain DN50/75/110 vertical with trap seal PRIMUS, 123x123mm/115x115mm

**HL510NPr**

floor drain DN40/50 horizontal with trap seal PRIMUS, 123x123mm/115x115mm

**HL70**

floor drain DN75/110 horizontal with non-return valve and 3 inlets DN40/50, 123x123mm/115x115mm

**PACKAGING DATA****PE-bag**

<b>unit</b>	1 [pcs.]
<b>weight</b>	0,092 [kg]
<b>EAN/pack.</b>	9003076015290
<b>height/width/depth</b>	93/123/123 [mm]
<b>volume</b>	0,001218 [m³]

**DOWNLOADS**

<b>Foto Print</b>	<b>HL037Nx2E_pr.tif</b>	max.
<b>Foto Web</b>	<b>HL037Nx2E_B.jpg</b>	640x480/300dpi
<b>Foto Parts List</b>	<b>HL037Nx2E_gr.jpg</b>	150x150/72dpi
<b>Techn. drawing</b>	<b>HL037N_2E_a.pdf</b>	pdf
<b>CAD</b>	<b>HL037N_2E_2_a.dxf</b>	dxf